



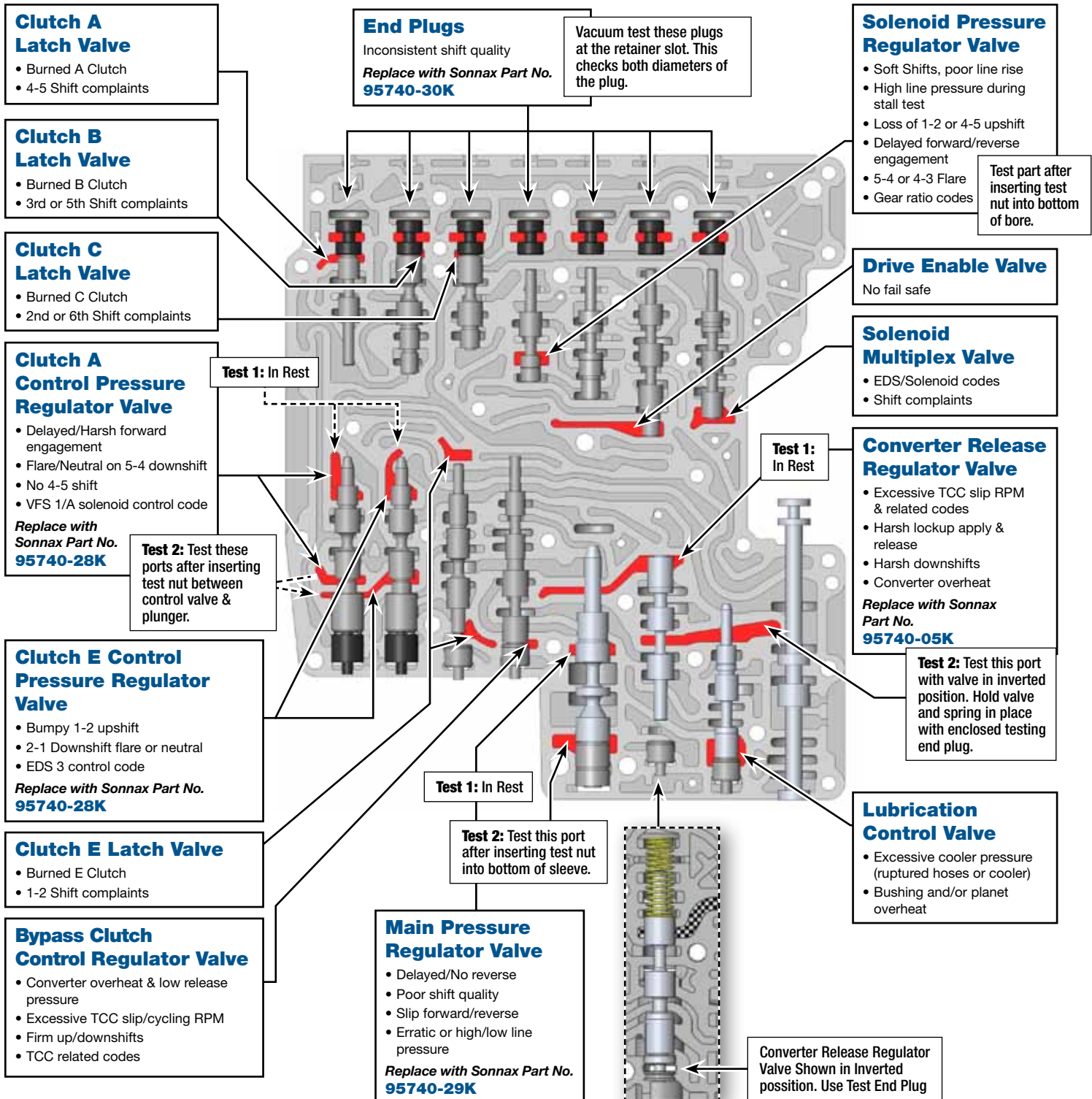
Critical Wear Areas & Vacuum Test Locations



NOTE: OE valves are shown in rest position and should be tested in rest position unless otherwise indicated. Test locations are pointed to with an arrow. Springs are not shown for visual clarity. Low vacuum reading indicates wear and Sonnax parts noted for replacement.

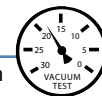
Lower Valve Body • ZF6HP21, Generation 2, M-Shift Shown Here

Click on Sonnax part numbers to see more information.





Critical Wear Areas & Vacuum Test Locations



NOTE: OE valves are shown in rest position and should be tested in rest position unless otherwise indicated. Test locations are pointed to with an arrow. Springs are not shown for visual clarity. Low vacuum reading indicates wear and Sonnax parts noted for replacement.

Upper Valve Body • ZF6HP21, Generation 2, M-Shift Shown Here

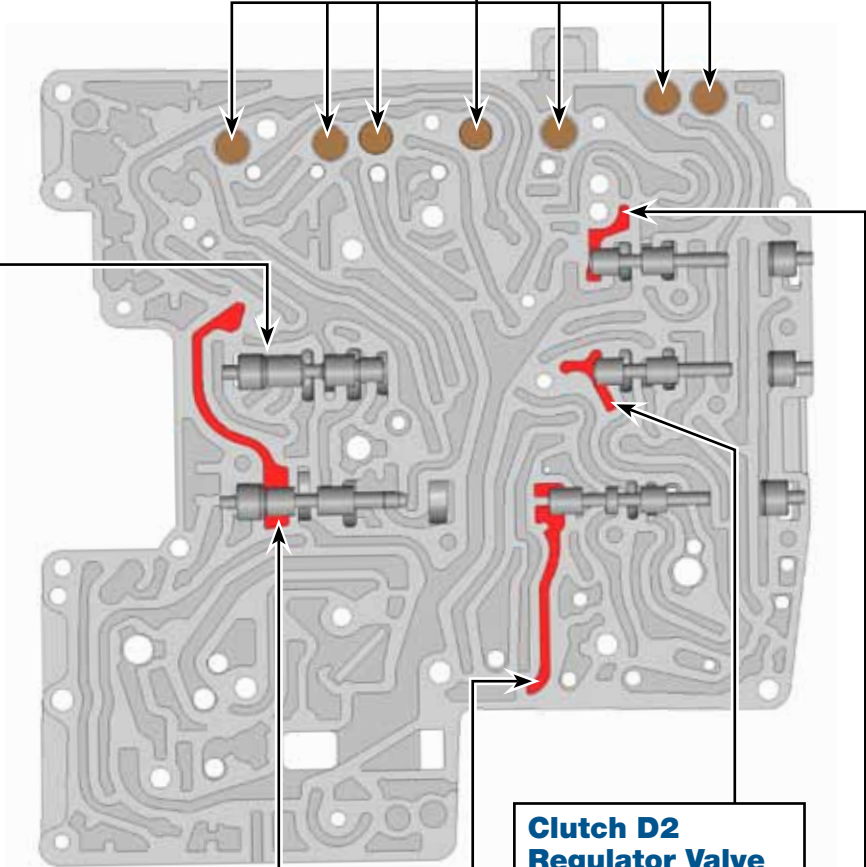
Click on Sonnax part numbers to see more information.

OE accumulator pistons should be flush with the casting. It is common for the rubber insert to lose tension. Each of these pistons can be vacuum tested from the exhaust hole on the opposite side of the casting.

Accumulator Pistons

- Firm up/downshifts & harsh engagement
- Erratic EDS solenoid control/EDS codes

Replace with Sonnax Part No. 95740-15K



Clutch D1 Control Pressure Regulator Valve

- Bumpy 1-2 upshift
- 2-1 Downshift flare or neutral
- EDS 3 control codes

Clutch C Regulator Valve

- 2nd/6th Soft complaints
- EDS 3 codes

Clutch C2 Latch Valve

- 2nd/6th Shift complaints
- EDS 3 codes

Clutch D2 Regulator Valve

- 1st/2nd Shift complaints
- EDS 4 codes

Clutch B Regulator Valve

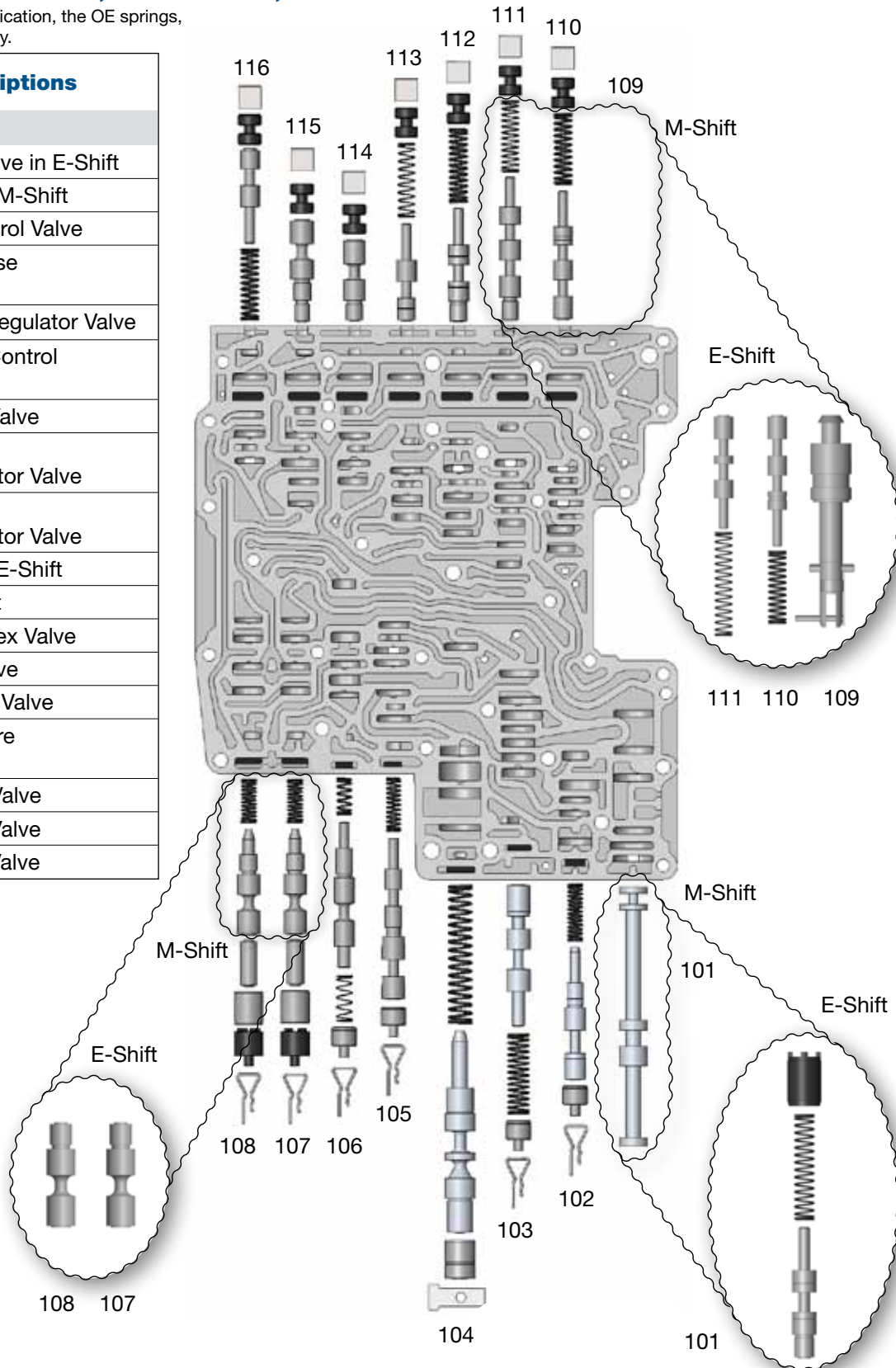
- 3rd/5th Shift complaints
- EDS 2 codes

OE Exploded View

Lower Valve Body • ZF6HP21, Generation 2, M-Shift Shown Here

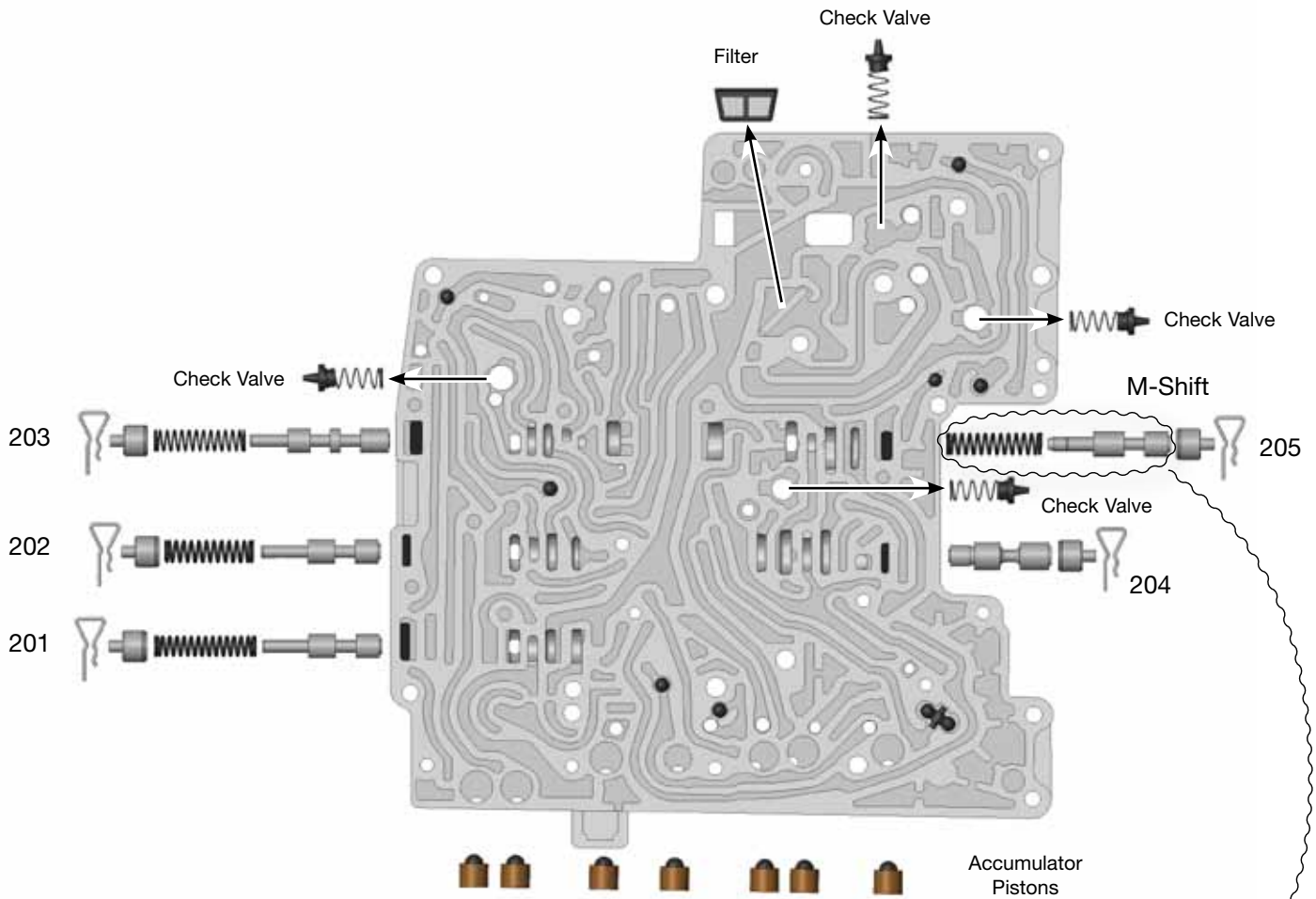
NOTE: Depending upon vehicle application, the OE springs, checkballs and worm tracks may vary.

Lower Valve Body Descriptions	
I.D. No.	Description
101	Parking Lock Valve in E-Shift
101	Manual Valve in M-Shift
102	Lubrication Control Valve
103	Converter Release Regulator Valve
104	Main Pressure Regulator Valve
105	Bypass Clutch Control Regulator Valve
106	Clutch E Latch Valve
107	Clutch E Control Pressure Regulator Valve
108	Clutch A Control Pressure Regulator Valve
109	Manual Valve in E-Shift
109	Empty in M-Shift
110	Solenoid Multiplex Valve
111	Drive Enable Valve
112	Clutch D1 Latch Valve
113	Solenoid Pressure Regulator Valve
114	Clutch C Latch Valve
115	Clutch B Latch Valve
116	Clutch A Latch Valve



OE Exploded View

Upper Valve Body • ZF6HP21, Generation 2, M-Shift Shown Here



Upper Valve Body Descriptions

I.D. No.	Description
201	Clutch B Regulator Valve
202	Clutch D2 Regulator Valve
203	Clutch D2 Latch Valve
204	Clutch C Regulator Valve
205	Clutch D1 Control Pressure Regulator Valve

