

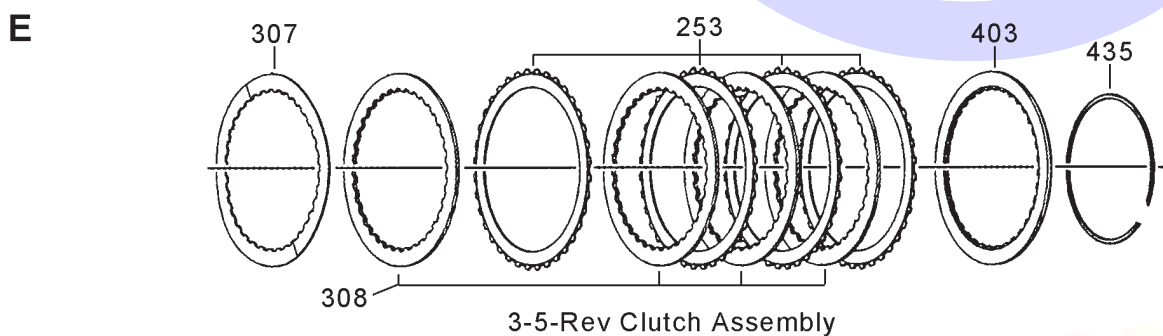
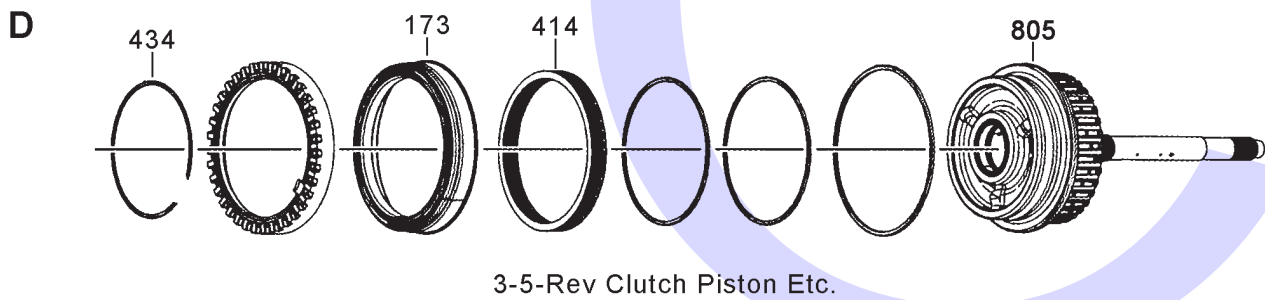
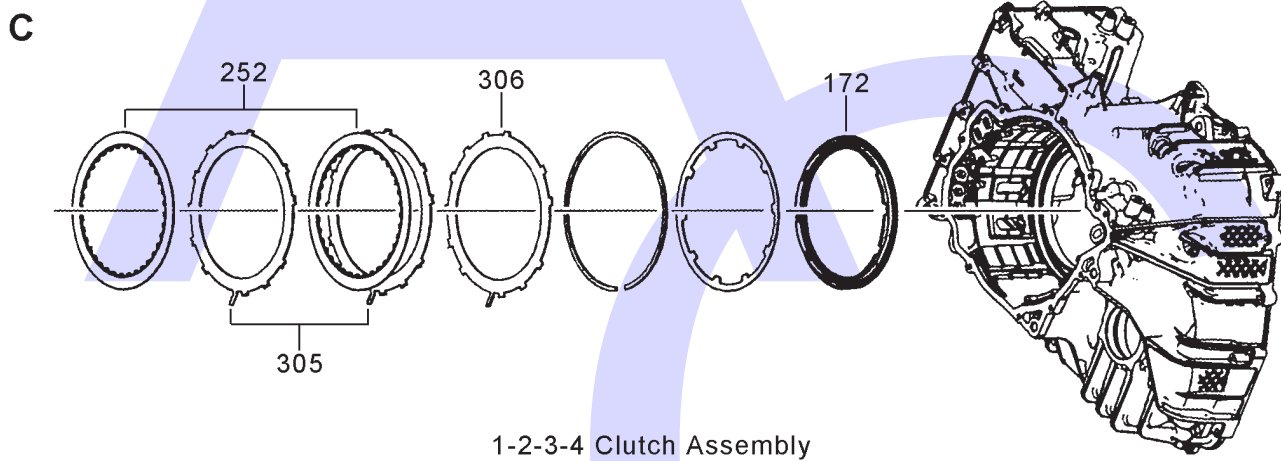
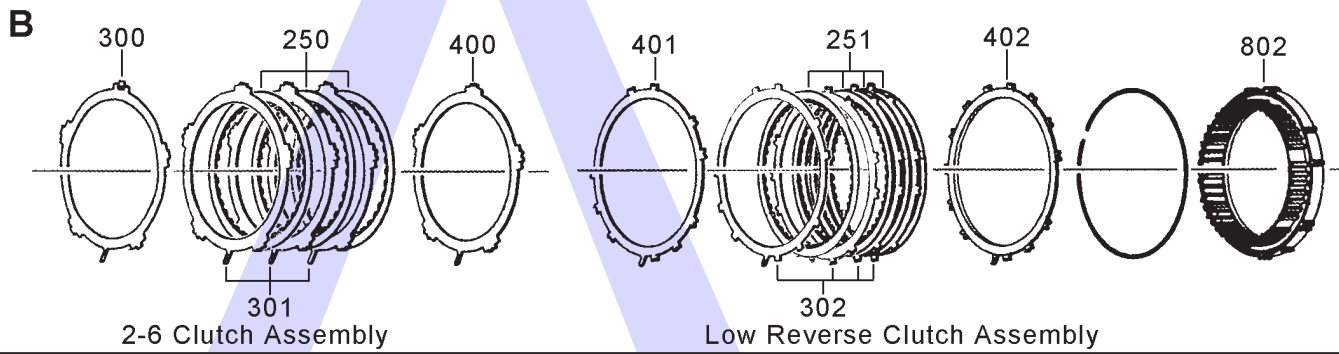
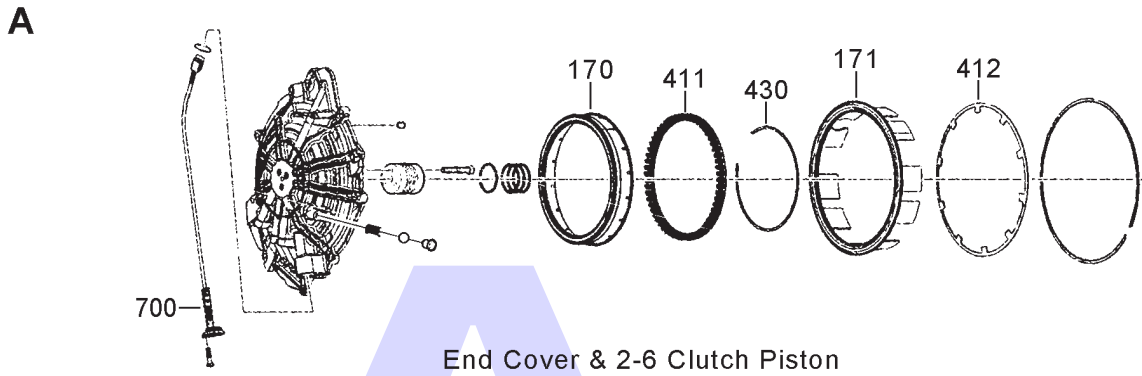
GM 6T70/75 & Ford 6F50/55 6 Speed FWD (Electronic Control)



AUTOMATIC CHOICE



THE AUTOMATIC TRANSMISSION PARTS WAREHOUSE



GM 6T70/75 & Ford 6F50/55 6 Speed FWD (Electronic Control)

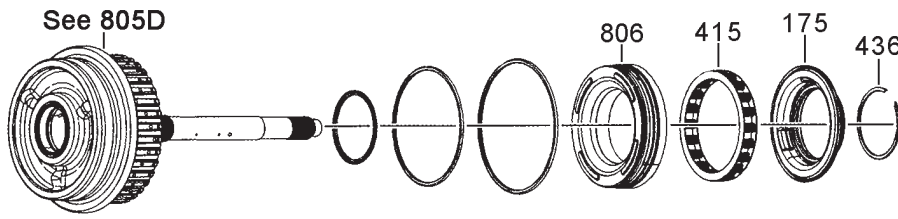


AUTOMATIC CHOICE



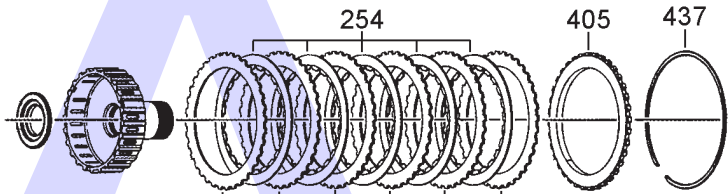
THE AUTOMATIC TRANSMISSION PARTS WAREHOUSE

F



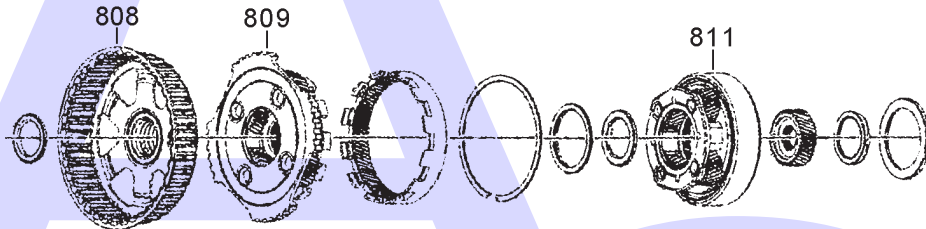
4-5-6 Clutch Piston Etc.

G



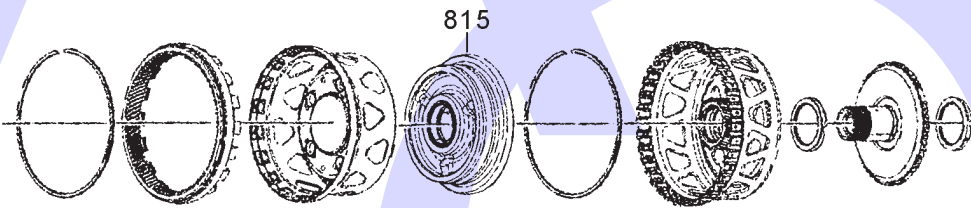
4-5-6 Clutch Assembly

H



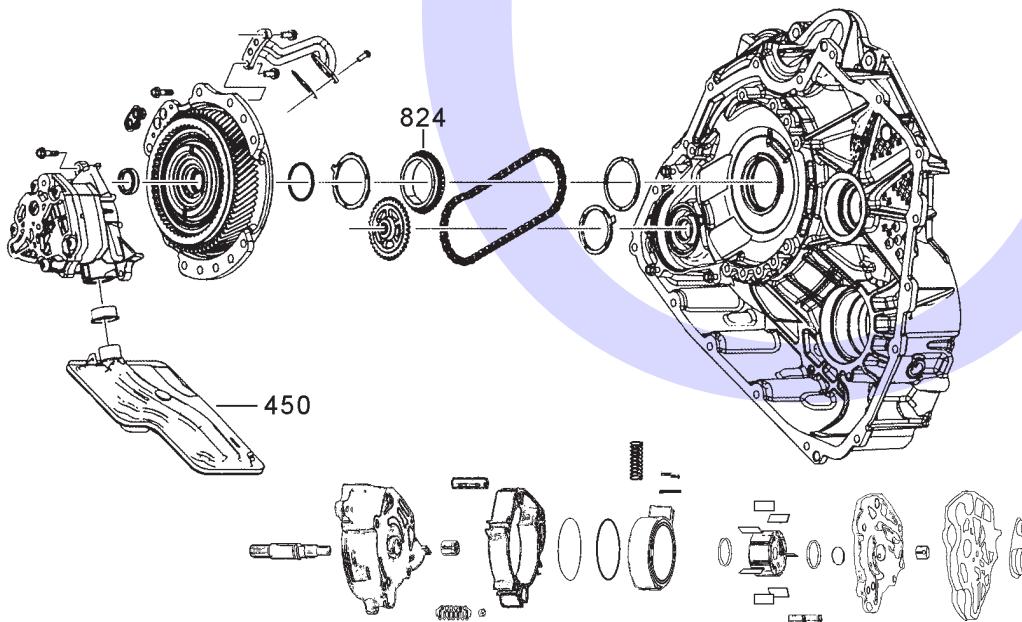
Planetary Etc.

J



Planetary Etc.

K



Filter, Oil Pump & Ancillary Items

GM 6T70/75 & Ford 6F50/55 6 Speed FWD (Electronic Control)

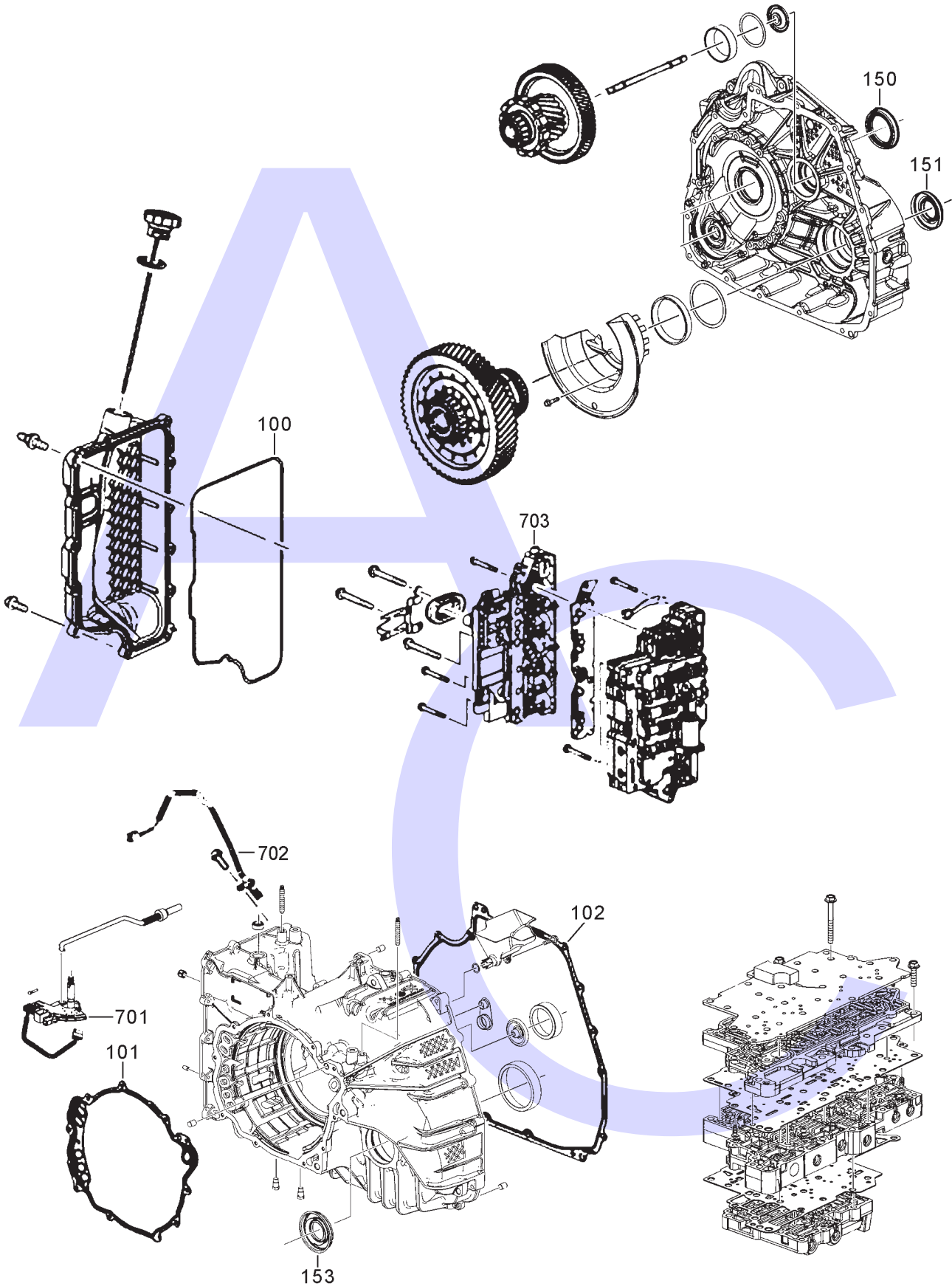


AUTOMATIC CHOICE



THE AUTOMATIC TRANSMISSION PARTS WAREHOUSE

L



Case Components, Valve Body, Differential Etc.

GM 6T70/75 & Ford 6F50/55 6 Speed FWD (Electronic Control)



AUTOMATIC CHOICE



THE AUTOMATIC TRANSMISSION PARTS WAREHOUSE

| ILL NO. | DESCRIPTION | YEARS | QTY | PART NO |
|--------------------------|--|-------|-----|----------------------|
| KITS | | | | |
| Kit | Overhaul Kit (Transtec) (GM) With Pistons Gen 1 | 07-13 | 1 | 6T70.OHK01 |
| Kit | Overhaul Kit (Transtec) (GM) With Pistons Gen 2 | 13-ON | 1 | 6T70.OHK05 |
| Kit | Overhaul Kit (Transtec) (GM) Without Pistons | 07-ON | 1 | 6T70.OHK03 |
| Kit | Overhaul Kit (Transtec) (Ford)... | 07-ON | 1 | 6T70.OHK04 |
| Kit | Overhaul Kit (Aftermarket) (Ford) | 07-ON | 1 | 6T70.OHK02 |
| GASKETS | | | | |
| 100L | Valve Body Cover | 07-ON | 1 | 6T70.GAS01 |
| 101L | End Cover | 07-ON | 1 | 6T70.GAS02 |
| 102L | Case to Bell Housing (GM) | 07-ON | 1 | 6T70.GAS03 |
| RUBBER COMPONENTS | | | | |
| METAL CLAD SEALS | | | | |
| 150L | Torque Converter to Case | 07-ON | 1 | 6T70.MCS01 |
| 151L | Diff/Axle R/Hand | 07-ON | 1 | 6T70.MCS02 |
| 153L | Diff/Axle L/Hand | 07-ON | 1 | 6T70.MCS02 |
| BONDED PISTONS | | | | |
| Kit | Bonded Piston (Precision) | 07-ON | 1 | 6T70.PISKIT51 |
| 170A | 2-6 Clutch | 07-ON | 1 | 6T70.PIS01 |
| 171A | Low / Reverse Clutch | 07-ON | 1 | 6T70.PIS04 |
| 172C | 1-2-3-4 Clutch | 07-ON | 1 | 6T70.PIS02 |
| 173D | 3-5 / Reverse Clutch | 07-ON | 1 | 6T70.PIS03 |
| 175F | 4-5-6 Clutch (Bonded Retainer) | 07-ON | 1 | 6T70.RET01 |
| SEALING RINGS | | | | |
| Kit | Sealing Ring Kit | 07-ON | 1 | 6T70.SRK01 |
| FRICITION PLATES | | | | |
| Kit | Friction Plate (Precision) | 07-08 | 1 | 6T70.FRK51 |
| 250B | 2-6 Clutch (209mm OD x 1.52mm x 36T) .. | 07-ON | 3 | 6T70.FRP02 |
| 251B | Low/Reverse Clutch (219mm OD x 1.52mm x 48T) .. | 07-ON | 4 | 6T70.FRP05 |
| 252C | 1-2-3-4 Clutch (208mm OD x 1.60mm x 36T) .. | 07-ON | 2 | 6T70.FRP04 |
| 253E | 3-5 / Reverse Clutch (External Teeth) (143mm ID x 1.57mm x 36T) | 07-ON | 4 | 6T70.FRP03 |
| 254G | 4-5-6 Clutch (124mm OD x 1.57mm x 24T) .. | 07-ON | 6 | 6T70.FRP01 |
| STEEL PLATES | | | | |
| 300B | 2-6 Clutch Waved Plate | 07-ON | 1 | 6T70.STP04 |
| 301B | 2-6 Clutch (182.72mm ID x 2.90mm x 5T) . | 07-ON | 3 | 6T70.STP03 |
| 302B | Low/Reverse Clutch (197mm ID x 1.73mm x 10T) | 07-ON | 3 | 6T70.STP09 |
| NI | Low/Rev Clutch Waved Plate ... | 07-ON | 1 | 6T70.STP10 |
| 305C | 1-2-3-4 Clutch (174.75mm ID x 2.16mm x 12T) | 07-ON | 2 | 6T70.STP07 |
| 306C | 1-2-3-4 Clutch Waved Plate | 07-ON | 1 | 6T70.STP08 |
| 307E | 3-5 / Reverse Waved Plate | 07-ON | 1 | 6T70.STP06 |
| 308E | 3-5 / Reverse Clutch (Internal Teeth) (167.3mm OD x 2.92mm x 36T) | 07-ON | 4 | 6T70.STP05 |
| 309G | 4-5-6 Clutch (100mm ID x 1.73mm x 36T) | 07-ON | 6 | 6T70.STP01 |

| ILL NO. | DESCRIPTION | YEARS | QTY | PART NO |
|--------------------------------------|---|-------|-----|--------------------|
| PRESSURE PLATES | | | | |
| 400B | 2-6 Clutch | 07-ON | 1 | 6T70.PP02 |
| 401B | Low / Reverse Apply Plate (4.064mm Thick GM Only) | 07-ON | 1 | 6T70.PP05 |
| 401B | Low / Reverse Apply Plate (2.921mm Thick Ford Only) | 07-ON | 1 | 6T70.PP06 |
| 402B | Low / Reverse Backing Plate (3.835mm Thick GM Only) | 07-ON | 1 | 6T70.PP07 |
| 402B | Low / Reverse Backing Plate (4.851mm Thick Ford Only) | 07-ON | 1 | 6T70.PP08 |
| NI | 1-2-3-4 Clutch | 07-ON | 1 | 6T70.PP04 |
| 403E | 3-5 / Reverse Clutch | 07-ON | 1 | 6T70.PP03 |
| 405G | 4-5-6 Clutch | 07-ON | 1 | 6T70.PP01 |
| SPRINGS & CIRCLIPS | | | | |
| 411A | Spring Assy, 2-6 Piston | 07-ON | 1 | 6T70.SPR04 |
| 412A | Return Spring, Low/Rev Piston (GM) | 07-ON | 1 | 6T70.SPR05 |
| 414D | Spring Assy, 3-5-Rev Piston | 07-ON | 1 | 6T70.SPR01 |
| 415F | Spring Assy, 4-5-6 Piston | 07-ON | 1 | 6T70.SPR02 |
| 430A | Circlip, 2-6 Piston Ret | 07-ON | 1 | 6T70.CIR05 |
| 434D | Circlip, 3-5-Rev Piston Ret | 07-ON | 1 | 6T70.CIR01 |
| 435E | Circlip, 3-5-Rev Clutch Ret. (Gen 1 Type) | 07-ON | 1 | 6T70.CIR02 |
| 435E | Circlip, 3-5-Rev Clutch Ret. (Gen 2 Type, .005" Thicker) | 13-ON | 1 | 6T70.CIR06 |
| 436F | Circlip, 4-5-6 Damper Ret. | 07-ON | 1 | 6T70.CIR03 |
| 437G | Circlip, 4-5-6 Clutch Ret | 07-ON | 1 | 6T70.CIR04 |
| FILTERS | | | | |
| 450G | Pick Up Filter (GM) | 07-ON | 1 | 6T70.FIL01 |
| 450G | Pick Up Filter (Ford) | 07-ON | 1 | 6T70.FIL02 |
| BUSHINGS | | | | |
| Kit | Bushing Kit (GM) | 07-ON | 1 | 6T70.BK01 |
| Kit | Bushing Kit (Ford) | 07-ON | 1 | 6T70.BK02 |
| Kit | Bushing Kit (6T70), (8 Pieces, Chevrolet, Mazda) | 07-ON | 1 | 6T70.BK03 |
| THRUST WASHERS & BEARINGS | | | | |
| Kit | Thrust Washer Kit | 07-ON | 1 | 6T70.TWK01 |
| Kit | Thrust Bearing Kit | 07-ON | 1 | 6T70.TWK02 |
| ELECTRICAL COMPONENTS | | | | |
| Kit | Pressure Switch Rebuild Kit, (6T70/75, Gen 1) (Sonnax® Click here for Info) ... | 07-ON | AR | 6L45E.ELE01 |
| 700A | Speed Sensor, Output (OSS) | 07-ON | 1 | 6T70.ELE01 |
| 701L | Range Switch (6T70) | 07-ON | 1 | 6T70.ELE03 |
| 702L | Speed Sensor, Input (TSS) | 07-ON | 1 | 6T70.ELE02 |
| 703L | Solenoid Block, With TCM (VIN Required) | 07-ON | 1 | 6T70.SOL01 |
| 703L | Solenoid Assembly (Ford 6F50/55) | 07-ON | 1 | 6T70.SOL02 |
| 703L | Solenoid Assembly (GM 6T70/75) | 07-ON | 1 | 6T70.SOL03 |

GM 6T70/75 & Ford 6F50/55 6 Speed FWD (Electronic Control)



AUTOMATIC CHOICE



THE AUTOMATIC TRANSMISSION PARTS WAREHOUSE

| ILL NO. | DESCRIPTION | YEARS | QTY | PART NO |
|----------------------------|--|-------|-----|--------------|
| VALVE BODY PARTS | | | | |
| Kit | Shift Kit (TransGo®) (GM 6T70/75)..... | 07-13 | 1 | 6T70.SK01 |
| Kit | 4-5-6 Accumulator Piston (6T70/75, Gen. 1) (Sonnax® Click here for Info) ... | 07-ON | 1 | 6T70.VA01 |
| Kit | Oversized Clutch Boost Valve (6F50/55) & (6T70/75, Gen. 1) (Requires Tool 6T40.VA06 & Universal Valve Body Fixture AG4.VA05) (Sonnax® Click Here for Info) ... | 06-ON | 1 | 6T70.VA02 |
| Kit | Tool Kit for 6T70.VA02 | 99-ON | 1 | 6T40.VA06 |
| Kit | Oversized TCC Regulator Valve (6F50/55) & (6T70/75, Gen. 1) (Requires Tool 6T70.VA05 & Universal Valve Body Fixture AG4.VA05) (Sonnax® Click Here for Info) ... | 06-ON | 1 | 6T70.VA04 |
| Kit | Tool Kit for 6T70.VA04 | 06-ON | 1 | 6T40.VA05 |
| Kit | ZIP KIT® Valve Body Correction Package (6F50/55) (Sonnax® Click here for Info) ... | 07-ON | 1 | 6F50.VA01 |
| Kit | ZIP KIT® Valve Body Correction Package (6T70/75, Gen. 1) (Sonnax® Click here for Info) ... | 06-ON | 1 | 6T70.ZIP01 |
| Kit | Pressure Switch Installation Tool Kit (6T70/6T75, Gen 1) (Sonnax® Click Here for Info) ... | 06-ON | 1 | 6L45E.TOOL02 |
| HARD PARTS | | | | |
| 802B | Low/Reverse Sprag/Diode Assembly..... | 07-ON | 1 | 6T70.OWC01 |
| 805D | Drum, 3-5-Rev & 4-5-6 Clutch .. | 07-ON | 1 | 6T70.DRU01 |
| 806F | Piston, 4-5-6 Clutch (Aluminium) | 07-ON | 1 | 6T70.PIS06 |
| 808H | Sungear with Hub | 07-ON | 1 | 6T70.SUN01 |
| 809H | Reaction Carrier Assembly | 07-ON | 1 | 6T70.PL01 |
| 811H | Input Carrier Assembly..... | 07-ON | 1 | 6T70.PL02 |
| 815J | Output Carrier Assembly..... | 07-ON | 1 | 6T70.PL03 |
| 824K | Pump Drive Chain (With Sprockets) | 07-ON | 1 | 6T70.CH01 |
| SPECIAL ITEMS | | | | |
| TOOLS & MANUALS | | | | |
| NI | Workshop Manual (ATSG) (6T70/75) | 07-ON | AR | 6T70.MAN01 |

| ILL NO. | DESCRIPTION | YEARS | QTY | PART NO |
|---------|-------------|-------|-----|---------|
|---------|-------------|-------|-----|---------|