

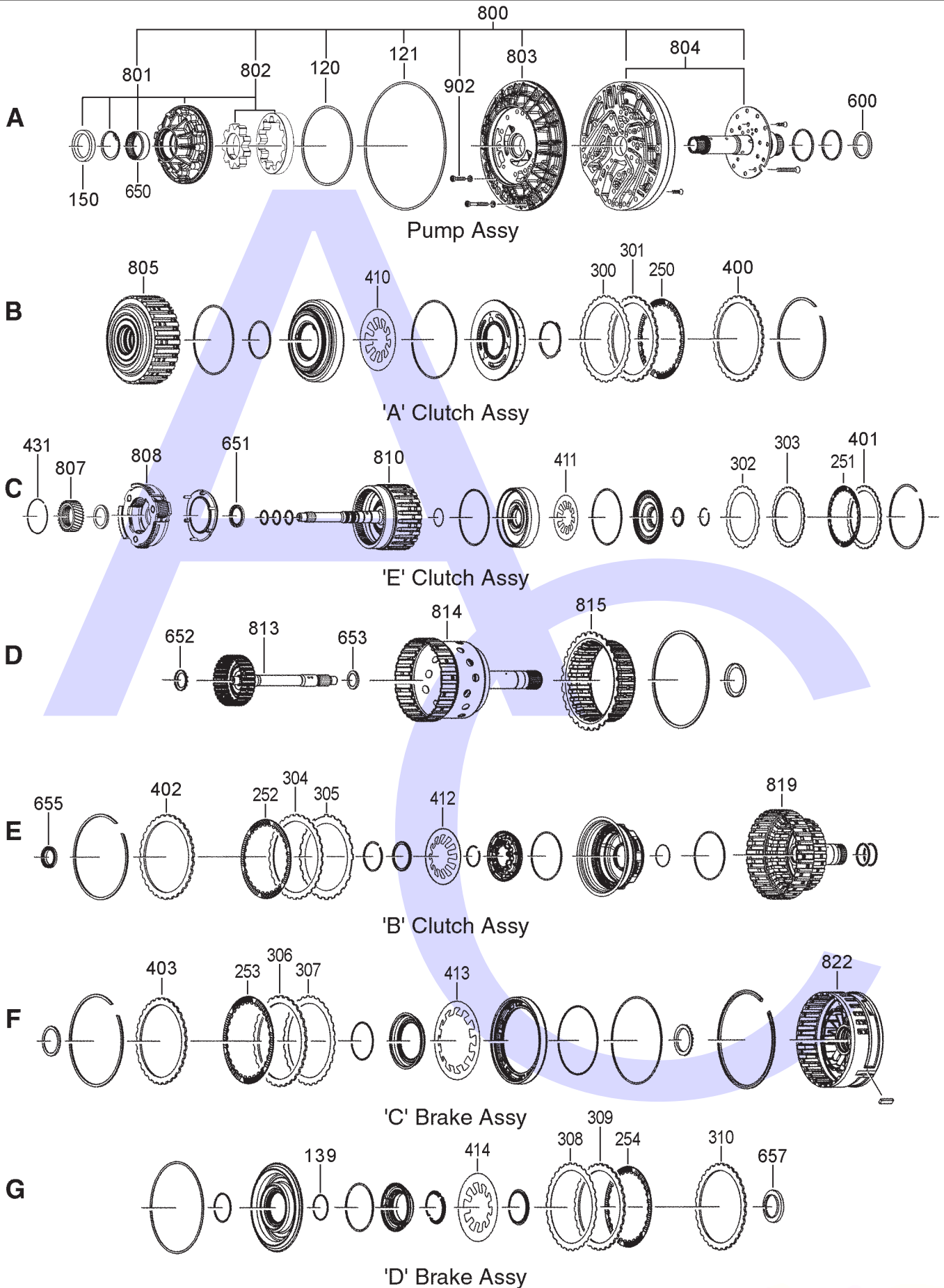
Ford 6R60E/6R75E (2006 - On) 6R80E (2009 - On) 6 SPEED 2WD & 4WD (Full Electronic Control)



AUTOMATIC CHOICE



THE AUTOMATIC TRANSMISSION PARTS WAREHOUSE



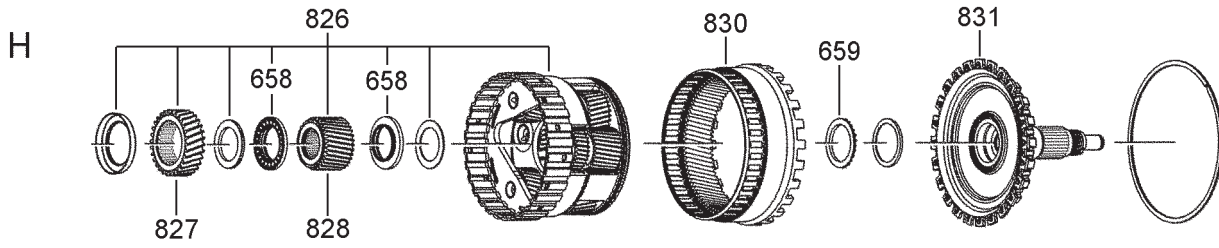
Ford 6R60E/6R75E (2006 - On) 6R80E (2009 - On) 6 SPEED RWD (Full Electronic Control)



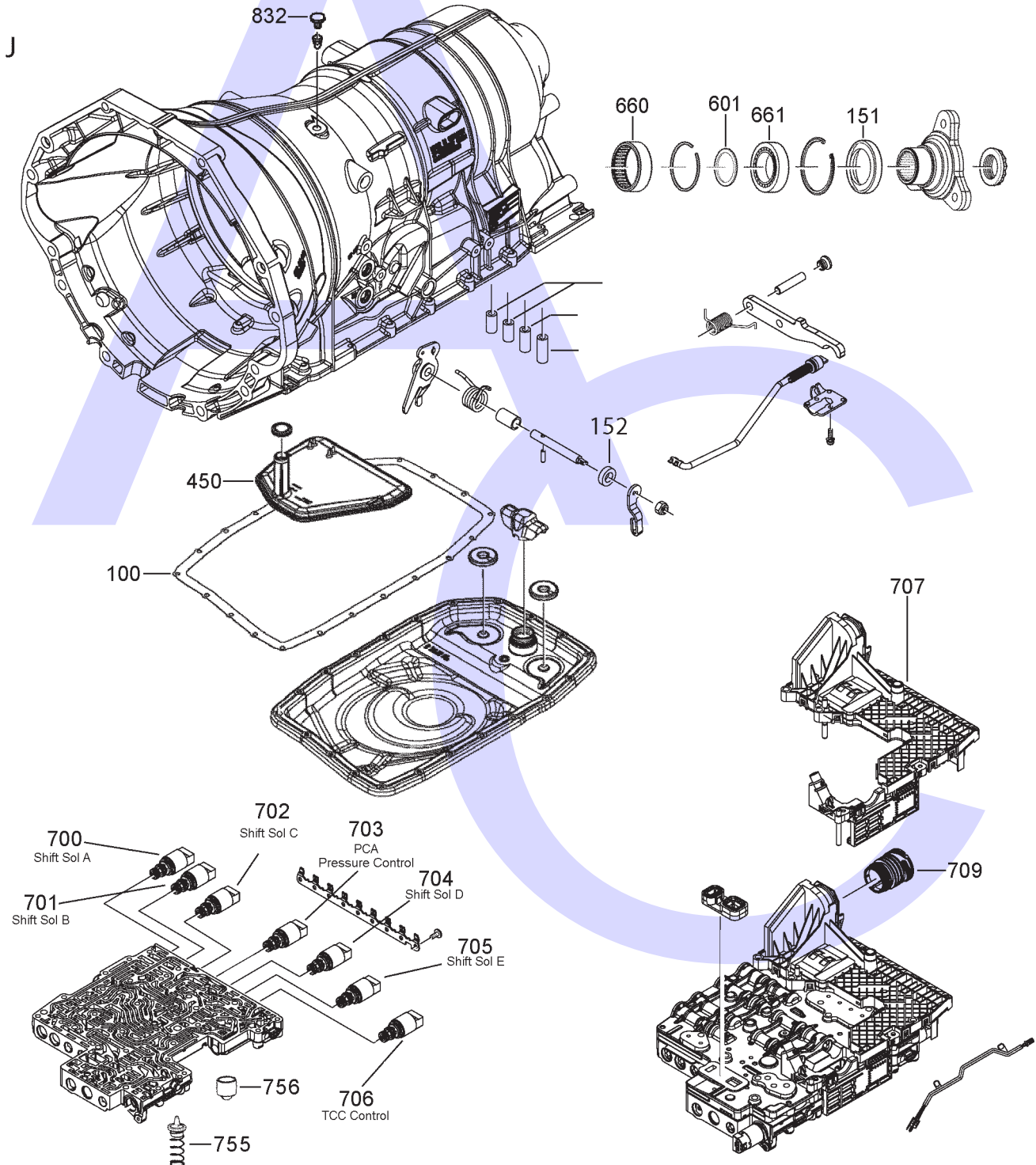
AUTOMATIC CHOICE



THE AUTOMATIC TRANSMISSION PARTS WAREHOUSE



Rear Planetary Assembly



Ford 6R60E/6R75E (2006 - On) 6R80E (2009 - On)

6 SPEED RWD (Full Electronic Control)



AUTOMATIC CHOICE



THE AUTOMATIC TRANSMISSION PARTS WAREHOUSE

| ILL NO. | DESCRIPTION | YEARS | QTY | PART NO |
|---|--|-------|-----|-------------|
| KITS | | | | |
| Kit | Overhaul Kit (Transtec) (6R60E, 6R75E)..... | 06-ON | 1 | 6R60E.OHK01 |
| Kit | Overhaul Kit (Aftermarket) (6R60E, 6R75E)..... | 06-ON | 1 | 6R60E.OHK05 |
| Kit | Overhaul Kit (Transtec) (6R80E)..... | 08-ON | 1 | 6R80E.OHK01 |
| Kit | Overhaul Kit (Precision) (6R80E, Ford Lincoln, Mazda) .. | 09-ON | 1 | 6R80E.OHK51 |
| Sonnax® Transmission Identification Chart | | | | |
| GASKETS | | | | |
| 100J | Pan Gasket | 06-ON | 1 | 6R60E.GAS01 |
| RUBBER COMPONENTS | | | | |
| 120A | 'O' Ring, Pump to Stator | 06-ON | 1 | 4HP24.OR01 |
| 121A | 'O' Ring, Stator to Case | 06-ON | 1 | 5HP18.OR02 |
| 127C | 'O' Ring, 'E' Clutch Piston (Inner) | 06-ON | 1 | 5HP24.OR03 |
| 139G | 'O' Ring, 'D' Damper Inner | 01-ON | 1 | 6HP19.OR02 |
| METAL CLAD SEALS | | | | |
| 150A | Front Pump | 06-ON | 1 | 6HP26.MCS01 |
| 151J | Extension Housing (2wd)..... | 06-ON | 1 | 6HP26.MCS02 |
| 151J | Extension Housing (2wd) (6R80E, 64mm x 80mm x 8mm) .. | 06-ON | 1 | 6R80E.MCS01 |
| 151J | Extension Housing (4wd)..... | 06-ON | 1 | 6HP26.MCS03 |
| 152J | Selector Shaft Seal (10mm x 18mm x 5mm)..... | 06-ON | 1 | 3HP22.MCS03 |
| MOULDED PISTONS | | | | |
| SEALING RINGS | | | | |
| Kit | Sealing Ring Kit (6R60/75E)..... | 06-ON | 1 | 6R60E.SRK01 |
| FRICITION PLATES | | | | |
| Kit | Friction Plate (6R60E) (Alto)..... | 06-ON | 1 | 6R60E.FRK51 |
| Kit | Friction Plate (6R80E) (Alto)..... | 08-ON | 1 | 6R60E.FRK52 |
| Kit | Friction Plate (6R80E) (Precision)..... | 09-ON | 1 | 6R80E.FRK01 |
| 250B | 'A' Clutch | 06-ON | 4-5 | 6HP26.FRP01 |
| 251C | 'E' Clutch (6R60E, 6R75E)..... | 06-ON | 5-7 | 6HP26.FRP06 |
| 251C | 'E' Clutch (6R80E, 2.00mm) | 08-ON | 5-7 | 6R80E.FRP01 |
| 252E | 'B' Clutch | 06-ON | 4-5 | 6HP26.FRP03 |
| 253F | 'C' Brake..... | 06-ON | 4-5 | 6HP26.FRP03 |
| 254G | 'D' Brake..... | 06-ON | 6-7 | 6HP26.FRP01 |
| STEEL PLATES | | | | |
| Kit | Steel Plate (6R60E) | 06-ON | 1 | 6R60E.STK01 |
| Kit | Steel Plate (6R80E) | 07-ON | 1 | 6R60E.STK02 |
| 300B | Waved Steel 'A' Clutch..... | 06-ON | 1 | 6HP26.STP11 |
| 301B | 'A' Clutch Steel (3.00mm) | 06-ON | 4-5 | 6HP26.STP01 |
| 302C | Waved Steel 'E' Clutch..... | 06-ON | 1 | 6HP26.STP07 |

| ILL NO. | DESCRIPTION | YEARS | QTY | PART NO |
|--------------------------------------|---|-------|-----|--------------|
| STEEL PLATES Cont... | | | | |
| 303C | 'E' Clutch Steel (3.00mm) | 06-ON | 6-7 | 6HP26.STP02 |
| 304E | 'B' Clutch Steel (2.10mm) | 06-ON | 4-5 | 6HP26.STP03 |
| 305E | Waved Steel 'B' Clutch..... | 06-ON | 1 | 6HP26.STP11 |
| 306F | 'C' Brake Steel (3.00mm)..... | 06-ON | 4-5 | 6HP26.STP01 |
| 307F | Waved Steel 'C' Brake | 06-ON | 1 | 6HP26.STP08 |
| 308G | Waved Steel 'D' Brake | 06-ON | 1 | 6HP26.STP11 |
| 309G | 'D' Brake Steel (2.10mm)..... | 06-ON | 6-7 | 6HP26.STP03 |
| 310G | End Steel 'D' Brake (Selective) (2.10mm Thick) | 06-ON | 1 | 6HP26.STP03 |
| | (3.00mm Thick) | 06-ON | 1 | 6HP26.STP01 |
| PRESSURE PLATES | | | | |
| 400B | 'A' Clutch | 01-ON | 1 | 6HP26.PP04 |
| 401C | 'E' Clutch | 01-ON | 1 | 6HP26.PP02 |
| 402E | 'B' Clutch | 06-ON | 1 | 6HP26.PP03 |
| 403F | 'C' Brake (3.90mm) | 06-ON | 1 | 6HP26.PP01 |
| SPRINGS & CIRCLIPS | | | | |
| 410B | Diaphragm 'A' Clutch | 06-ON | 1 | 6HP26.DIA01 |
| 411C | Diaphragm 'E' Clutch | 06-ON | 1 | 6HP26.DIA02 |
| 412E | Diaphragm 'B' Clutch | 06-ON | 1 | 6HP26.DIA03 |
| 413F | Diaphragm 'C' Brake | 06-ON | 1 | 6HP26.DIA05 |
| 414G | Diaphragm 'D' Brake | 06-ON | 1 | 6HP26.DIA04 |
| 431C | Snap Ring, Front Planet to 'A' Clutch Drum | 06-ON | 1 | 6HP26.RET01 |
| FILTERS | | | | |
| 450J | Pick Up Filer..... | 06-ON | 1 | 6R60E.FIL01 |
| 450J | Pick Up Filter (Shallow Pan) | 11-ON | 1 | 6R60E.FIL03 |
| 450J | Pick Up Filer, (OEM, 6R80E Ford, Lincoln, Mazda) 22mm Pick-Up | 09-ON | 1 | 6R80E.FIL01 |
| 450J | Pick Up Filer, (AM, 6R80E Ford, Lincoln, Mazda) 22mm Pick-Up | 09-ON | 1 | 6R80E.FIL51 |
| 450J | Pick Up Filer, (OEM, 6R80E Ford, Lincoln, Mazda) 2mm Pick-Up | 11-ON | 1 | 6R80E.FIL02 |
| BUSHINGS | | | | |
| Kit | Bushing Kit..... | 06-ON | 1 | 6R60.BK01 |
| THRUST WASHERS & BEARINGS | | | | |
| Kit | Thrust washer Kit..... | 06-ON | 1 | 6R60E.TWK01 |
| Kit | Bearing Kit | 06-ON | 1 | 6R60E.TWK02 |
| 600A | Shim, Selective (Rear of Pump) (2.60mm Thick) | 06-ON | AR | 6HP26.SHIM01 |
| | (2.80mm Thick) | 06-ON | AR | 6HP26.SHIM02 |
| | (3.00mm Thick) | 06-ON | AR | 6HP26.SHIM03 |
| | (3.20mm Thick) | 06-ON | AR | 6HP26.SHIM04 |
| | (3.40mm Thick) | 06-ON | AR | 6HP26.SHIM05 |
| | (3.60mm Thick) | 06-ON | AR | 6HP26.SHIM06 |
| | (3.80mm Thick) | 06-ON | AR | 6HP26.SHIM07 |
| | (4.00mm Thick) | 06-ON | AR | 6HP26.SHIM08 |
| | (4.20mm Thick) | 06-ON | AR | 6HP26.SHIM09 |
| | (4.40mm Thick) | 06-ON | AR | 6HP26.SHIM10 |
| | (4.60mm Thick) | 06-ON | AR | 6HP26.SHIM11 |
| | (4.80mm Thick) | 06-ON | AR | 6HP26.SHIM12 |

Ford 6R60E/6R75E (2006 - On) 6R80E (2009 - On)

6 SPEED RWD (Full Electronic Control)



AUTOMATIC CHOICE



THE AUTOMATIC TRANSMISSION PARTS WAREHOUSE

| ILL NO. | DESCRIPTION | YEARS | QTY | PART NO |
|--|--|-------|-----|---------------------|
| THRUST WASHERS & BEARINGS Cont... | | | | |
| 601J | Shim, Selective (Output Shaft) (1.00mm Thick)..... | 06-ON | AR | 6HP26.SHIM22 |
| | (1.20mm Thick)..... | 06-ON | AR | 6HP26.SHIM13 |
| | (1.40mm Thick)..... | 06-ON | AR | 6HP26.SHIM14 |
| | (1.60mm Thick)..... | 06-ON | AR | 6HP26.SHIM15 |
| | (1.80mm Thick)..... | 06-ON | AR | 6HP26.SHIM16 |
| | (2.00mm Thick)..... | 06-ON | AR | 6HP26.SHIM17 |
| | (2.20mm Thick)..... | 06-ON | AR | 6HP26.SHIM18 |
| | (2.40mm Thick)..... | 06-ON | AR | 6HP26.SHIM19 |
| | (2.60mm Thick)..... | 06-ON | AR | 6HP26.SHIM20 |
| | (2.80mm Thick)..... | 06-ON | AR | 6HP26.SHIM21 |
| 650A | Needle Bearing (Front Pump)..... | 06-ON | 1 | 6HP26.BE01 |
| 651C | Radial Bearing, 'E' Clutch to Front Planetary..... | 06-ON | 1 | 6HP26.TOR01 |
| 652D | Radial Bearing, 'E' Clutch to Intermediate Shaft..... | 06-ON | 1 | 6HP26.TOR02 |
| 653D | Radial Bearing, Sun Gear Shaft to Intermediate Shaft..... | 06-ON | 1 | 6HP26.TOR01 |
| 655E | Radial Bearing, 'B' Clutch to Sun Gear Shaft..... | 06-ON | 1 | 6HP26.TOR03 |
| 657G | Radial Bearing, (D' Brake to Rear Sun Gear).... | 06-ON | 1 | 6HP26.TOR05 |
| 658H | Radial Bearing, Rear Planetary | 06-ON | 2 | 6HP26.TOR04 |
| 659H | Radial Bearing, (Rear Planet to O. Shaft)..... | 06-ON | 1 | 6HP26.TOR06 |
| 660J | Needle Bearing, Output Shaft... | 06-ON | 1 | 6HP26.BE02 |
| 661J | Roller Bearing, Output Shaft..... | 06-ON | 1 | 6HP26.BE03 |
| ELECTRICAL COMPONENTS | | | | |
| Kit | Solenoid Kit..... | 06-ON | 1 | 6R60E.SOL01 |
| 700J | SSA Solenoid (PWM) | 06-ON | 1 | TBA |
| 701J | SSB Solenoid (PWM) | 06-ON | 1 | TBA |
| 702J | SSC Solenoid (PWM) | 06-ON | 1 | TBA |
| 703J | PCA Solenoid (PWM) (Pressure Control)..... | 06-ON | 1 | TBA |
| 704J | SSD Solenoid (PWM) | 06-ON | 1 | TBA |
| 705J | SSE Solenoid (On/Off) | 06-ON | 1 | TBA |
| 706J | TCC Solenoid (PWM) (TCC Control)..... | 06-ON | 1 | TBA |
| 707J | Valve Body Plate/TCM 6R80E (VIN Required)..... | 09-ON | 1 | 6R80E.ELE01 |
| 709J | Case Connector..... | 06-ON | 1 | 6R60E.ELE01 |
| VALVE BODY PARTS | | | | |
| Kit | Valve Body End Plug Kit..... | 06-ON | 1 | 6HP26.VA02 |
| 755J | Spring & Cap Assy (Return Valve for Clutches & Retaining Valve for Converter Pressure) | 06-ON | 2 | 6HP26.VA01 |
| 756J | Damper Piston..... | 06-ON | 6 | 5HP19.ACC02 |
| Kit | Pressure Regulator Valve (Oversize) Requires Toolkit 6HP19.VA02 & AG4.VA05 Universal Fixture (Sonnax® Click here for Info) . | 06-ON | 1 | 6HP19.VA01 |
| Kit | Toolkit for 6HP19.VA01 (Sonnax®)..... | 06-ON | 1 | 6HP19.VA02 |

| ILL NO. | DESCRIPTION | YEARS | QTY | PART NO |
|---|---|-------|-----|--------------------|
| VALVE BODY PARTS Cont... | | | | |
| Kit | Sleeve, Pressure Regulator Valve (Sonnax® Click here for Info) . | 06-ON | 1 | 6HP19.VA03 |
| Kit | Valve Body End Plug (13mm & 17mm) (Sonnax® Click here for Info) . | 06-ON | 1 | 6HP19.VA04 |
| Kit | Valve Body End Plug (12mm) (Sonnax® Click here for Info) . | 06-ON | 1 | 6HP19.VA05 |
| Kit | Boost Valve & Sleeve (Sonnax® Click here for Info) . | 06-ON | 1 | 6HP19.VA06 |
| Kit | Accumulator Pistons & Springs (Sonnax® Click here for Info) . | 06-ON | 1 | 6HP19.VA07 |
| Kit | Lubrication Control Valve (Oversize) Requires Toolkit 6HP19.VA09 & AG4.VA05 Universal Fixture (Sonnax® Click here for Info) . | 06-ON | 1 | 6HP19.VA08 |
| Kit | Toolkit for 6HP19.VA08 (Sonnax®)..... | 06-ON | 1 | 6HP19.VA09 |
| Kit | Solenoid Pressure Regulator Valve (Oversize) Requires Toolkit 6HP19.VA11 & AG4.VA05 Universal Fixture (Sonnax® Click here for Info) . | 06-ON | 1 | 6HP19.VA10 |
| Kit | Toolkit for 6HP19.VA10 (Sonnax®)..... | 06-ON | 1 | 6HP19.VA11 |
| Kit | Converter Release Regulator Valve (Oversize) Requires Toolkit 6HP19.VA14 & AG4.VA05 Universal Fixture (Sonnax® Click here for Info) . | 06-ON | 1 | 6HP19.VA13 |
| Kit | Toolkit for 6HP19.VA13 (Sonnax®)..... | 06-ON | 1 | 6HP19.VA14 |
| Kit | Bypass Clutch Control Valve (Oversize) Requires Toolkit 6HP19.VA16 & AG4.VA05 Universal Fixture (Sonnax® Click here for Info) . | 06-ON | 1 | 6HP19.VA15 |
| Kit | Toolkit for 6HP19.VA15 (Sonnax®)..... | 06-ON | 1 | 6HP19.VA16 |
| Kit | 'D1'/'E' Clutch Control Valve (Oversize) Requires Toolkit 6HP19.VA12 & AG4.VA05 Universal Fixture (Sonnax® Click here for Info) . | 06-ON | 1 | 6HP19.VA17 |
| Kit | 'A' Clutch Control Valve (Oversize) Requires Toolkit 6HP19.VA12 & AG4.VA05 Universal Fixture (Sonnax® Click here for Info) . | 06-ON | 1 | 6HP19.VA18 |
| Kit | Toolkit for 6HP19.VA17 & VA18 (Sonnax®)..... | 06-ON | 1 | 6HP19.VA12 |
| Kit | Valve Body Correction Package (1st Generation) (Sonnax® ZIP KIT) (Click here for Info)..... | 06-ON | 1 | 6HP19.ZIP01 |
| Kit | Valve Body Correction Package (2nd Generation) (Sonnax® ZIP KIT) (Click here for Info)..... | 06-ON | 1 | 6HP19.ZIP02 |
| Kit | Valve Body Parts (Contains Accumulator Rubbers, Check Balls, Check Valves and Filters for the Valve Body..... | 06-ON | 1 | 6HP26.GK01 |
| NI | Bonded Rubber Intermediate Plate for Mechatronic Unit / Valve Body (6R60/6R75E)..... | 06-ON | 1 | 6R60E.SP01 |
| NI | Bonded Rubber Intermediate Plate for Mechatronic Unit / Valve Body (6R80E , E510F Code)..... | 12-ON | 1 | 6R80E.SP01 |
| <p>Click here for complete Sonnax® Valve Body Diagram</p> <p>Vacuum Test Point Locations (Sonnax®) - Generation 1</p> <p>Vacuum Test Point Locations (Sonnax®) - Generation 2</p> | | | | |

