

4T60E (M13)

4 SPEED FWD (Electronic Control)

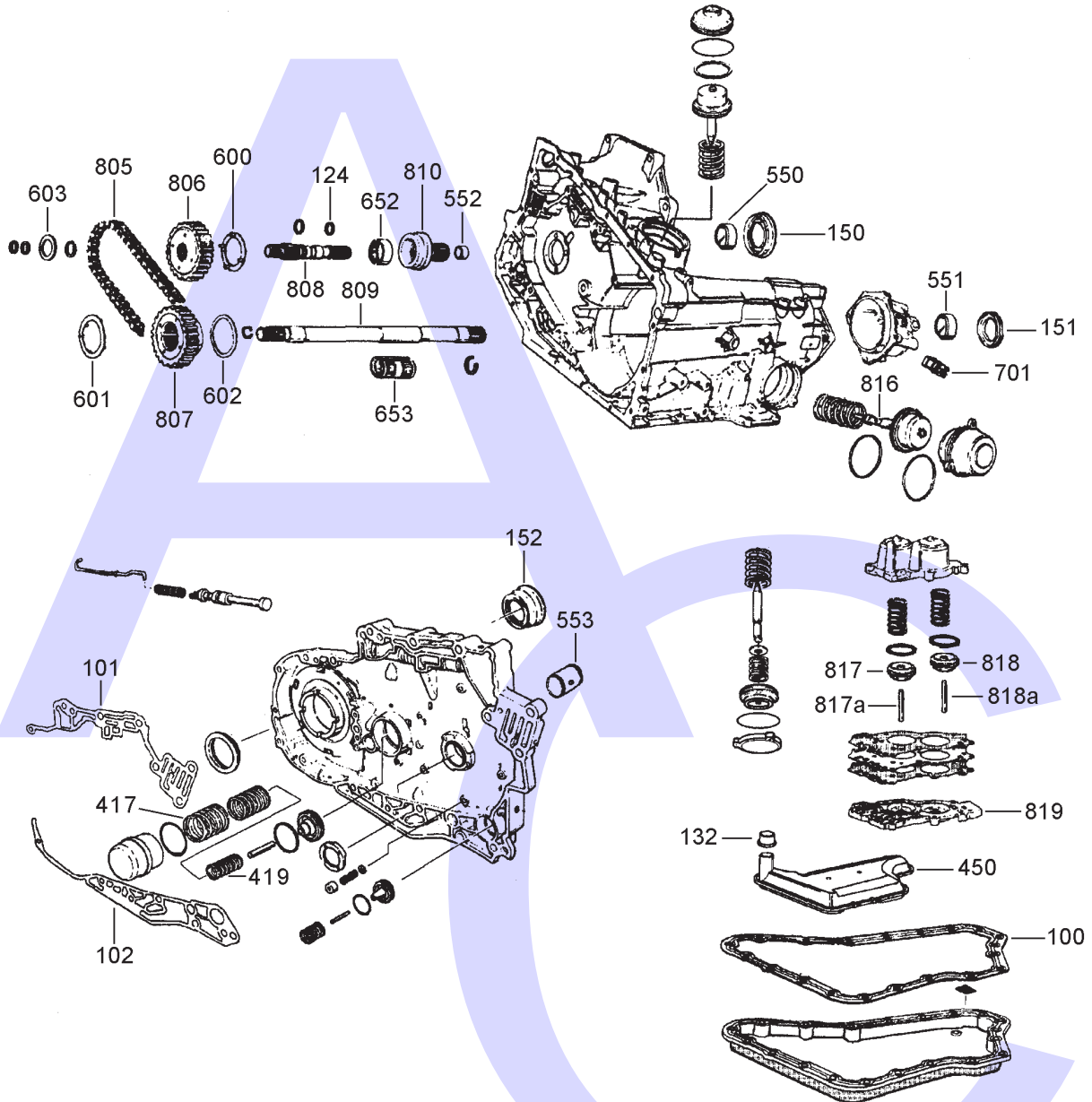


AUTOMATIC CHOICE

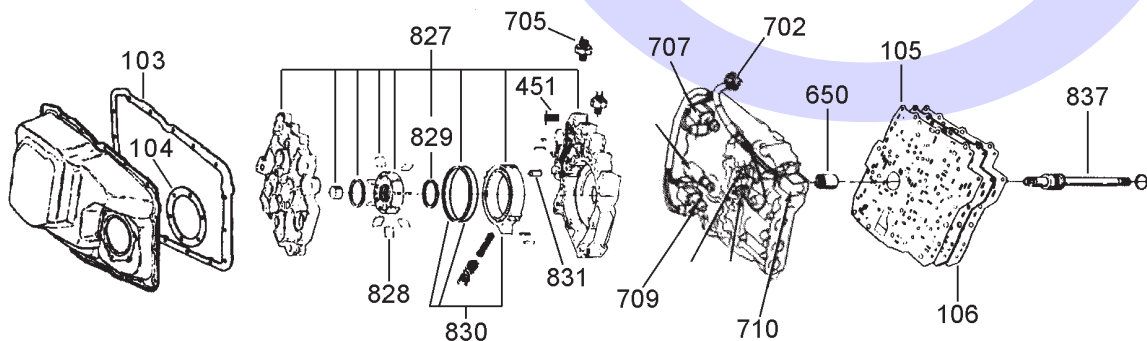


THE AUTOMATIC TRANSMISSION PARTS WAREHOUSE

A



B



4T60E (M13)

4 SPEED FWD (Electronic Control)

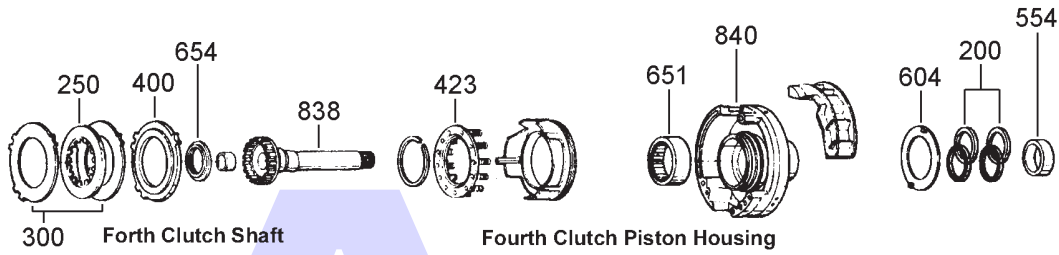


AUTOMATIC CHOICE

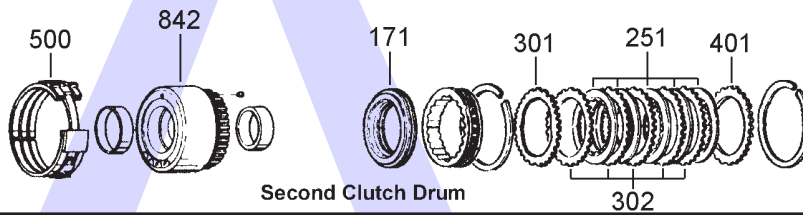


THE AUTOMATIC TRANSMISSION PARTS WAREHOUSE

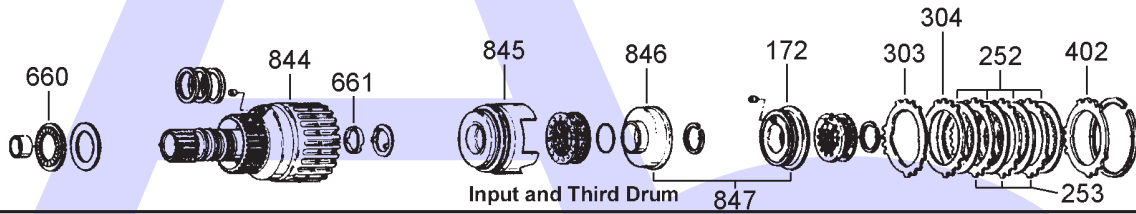
C



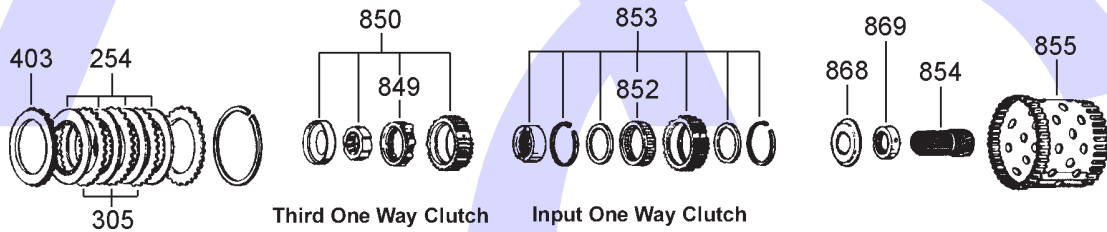
D



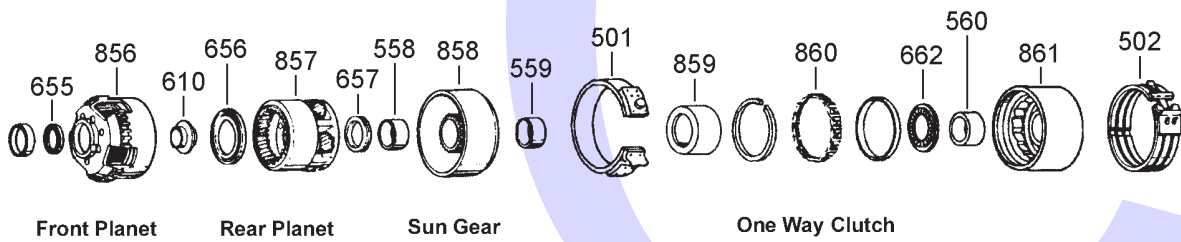
E



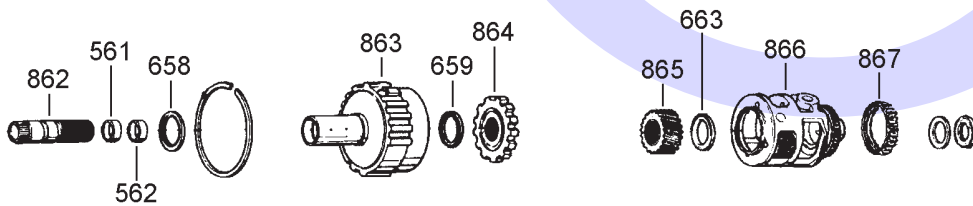
F



G



H



4T60E (M13)

4 SPEED FWD (Electronic Control)



AUTOMATIC CHOICE



THE AUTOMATIC TRANSMISSION PARTS WAREHOUSE

ILL NO.	DESCRIPTION	YEARS	QTY	PART NO
KITS				
Kit	Super Overhaul.....	91-94	1	4T60E.SOHK01
Kit	Banner Kit (Includes Frictions)..	91-94	1	4T60E.BAK01
Kit	Overhaul (Transtec).....	91-99	1	4T60E.OHK01
Kit	Overhaul (Precision).....	91-99	1	4T60E.OHK51
Kit	Sonnax Sure Cure Kit.....	93-96	1	4T60E.SCK01
Kit	Sonnax Sure Cure Kit.....	97-99	1	4T60E.SCK02
NI	Friction & Steel Kit, 2nd Clutch 1.52mm (7 Fri & 6 Thin & 1 Thick Steel).	91-99	1	TH440.CK01
GASKETS				
100A	Oil Pan (Rubber).....	91-99	1	4T60E.GAS01
100A	Oil Pan (Fibre).....	91-99	1	4T60E.GAS10
100A	Oil Pan (Cork).....	91-99	1	4T60E.GAS08
101A	Upper Channel Plate (1 Piece Design).....	91-99	1	4T60E.GAS02
102A	Lower Channel Plate.....	91-99	1	4T60E.GAS03
103A	Side Cover (Moulded Rubber)..	91-99	1	4T60E.GAS11
104A	Side Cover Inner Seal.....	91-99	1	4T60E.SQR01
105B	Valve Body to Spacer Plate	91-92	1	4T60E.GAS04
105B	Valve Body to Spacer Plate	93-99	1	4T60E.GAS05
106B	V.Body Spacer Plate to Case....	91-92	1	4T60E.GAS06
106B	V.Body Spacer Plate to Case....	93-99	1	4T60E.GAS07
RUBBER COMPONENTS				
124A	Turbine Shaft 'O' Ring (Green Coated).....	91-99	1	TH125.OR01
132A	Filter Seal, (Multi Lip).....	91-99	1	TH440.RUB01
NI	Lathe Cut Seal (Ext Housing) ...	91-99	1	4T60E.SQR01
METAL CLAD SEALS				
150A	Converter	91-99	1	TH125.MCS01
151A	Axle, Right Hand.....	91-99	1	TH125.MCS02
152A	Axle, Left Hand	91-99	1	TH440.MCS01
NI	Manual Lever	91-99	1	4L30E.MCS04
MOULDED PISTONS				
171D	2nd Clutch, Moulded Rubber (130.175mm OD).....	91-99	1	4T60E.PIS01
172E	3rd Clutch, Moulded Rubber (With Check Ball).....	91-99	1	TH440.PIS01
SEALING RINGS				
200C	2nd Hub Kit (2 Vespel Rings & 2 Rubber Expanders).....	91-99	1	TH440.SSR01
FRICION PLATES				
Kit	Friction Plate.....	91-92	1	TH440.FRK02
Kit	Friction Plate (Alto).....	8/91-94	1	4T60E.FRK52
Kit	Friction Plate.....	8/94-99	1	4T60E.FRK01
Kit	Friction Plate (Alto).....	8/94-99	1	4T60E.FRK53
Kit	Friction Plate (Alto) Combi.....	91-99	1	4T60E.FRK54
250C	4th Clutch (135mm OD x 1.80mm x 18T) ..	91-99	2	TH440.FRP07
251D	2nd Clutch (Smooth) (130mm OD x 1.80mm x 38T) ..	91-93	5-6	TH440.FRP02
251D	2nd Clutch (130mm OD x 1.80mm x 38T) ..	94-99	5-6	4T60E.FRP02

ILL NO.	DESCRIPTION	YEARS	QTY	PART NO
FRICION PLATES Cont...				
252E	3rd Clutch (1 Sided Internal Spline) (112mm OD x 2.00mm x 32T)...	91-99	5	TH440.FRP05
253E	3rd Clutch (1 Sided External Spline) 85.70mm OD x 2.00mm x 12T)	91-99	5	TH440.FRP06
254F	Input Clutch (118mm OD x 2.30mm x 32T)...	91-E94	4	TH440.FRP01
254F	Input Clutch (118mm OD x 1.65mm x 32T)...	L94-99	4	4T60E.FRP01
STEEL PLATES				
Kit	Steel Plate (Aftermarket).....	91-94	1	4T60E.STK01
Kit	Steel Plate (Alto).....	91-92	1	4T60E.STK51
Kit	Steel Plate (Alto).....	8/94-99	1	4T60E.STK52
Kit	Steel Plate (Aftermarket).....	95-99	1	4T60E.STK02
300C	4th Clutch (88mm ID x 1.95mm x 5T)	91-99	2	TH440.STP06
300C	4th Clutch (88mm ID x 3.30mm x 5T)	94-99	2	4T60E.STP01
301D	2nd Clutch (Waved) (96.26mm ID x 1.10mm x 36T) .	91-99	1	TH440.STP05
302D	2nd Clutch (Kolene®) (96.26mm ID x 1.95mm x 34T) .	91-99	6	TH440.STP04
304E	3rd Clutch Apply (Flat) (85.60mm ID x 2.3mm x 12T) ...	91-99	1	TH440.STP01
305F	Input Clutch (89.33mm ID x 1.27mm x 26T) .	91-8/94	4	TH440.STP09
305F	Input Clutch (89.33mm ID x 1.93mm x 26T) .	8/94-99	4	TH440.STP10
NI	Waved Steel, Input Clutch (1mm (.040") Thick).....	91-99	1	TH440.STP12
PRESSURE PLATES				
400C	4th Clutch (4.06mm).....	91-92	1	TH440.PP07
400C	4th Clutch (3.40mm).....	93-99	2-3	4T60E.STP01
401D	2nd Clutch (3.30mm).....	91-99	1	TH440.PP08
402E	3rd Clutch (3.88mm).....	91-99	1	TH440.PP04
403F	Input Clutch (Apply) (4.83mm).....	91-99	1	TH440.PP05
SPRINGS & CIRCLIPS				
Kit	Snap Ring	91-99	1	TH440.CIR10
417A	Spring, 3-4 Accumulator (Outer)	91-99	1	4T60E.SPR01
419A	Spring, 3-4 Accumulator (Inner)	91-99	1	4T60E.SPR02
423C	Spring Assy, Return 4th Clutch (86.20mm I.D).....	91-99	1	TH440.SPR03
FILTERS				
450A	Filter, Oil Pan (Aftermarket)	91-99	1	4T60E.FIL01
450A	Filter, Oil Pan (OEM).....	91-99	1	4T60E.FIL11
451B	Oil Pump Pressure Screen	91-99	1	TH440.FIL02
NI	Screen, TCC Solenoid	91-99	1	TH440.FIL04
NI	Screen, Shift Solenoid	91-99	1	TH440.FIL07
NI	Screen, 1-2 Servo.....	91-99	1	TH440.FIL08

4T60E (M13)

4 SPEED FWD (Electronic Control)



AUTOMATIC CHOICE



THE AUTOMATIC TRANSMISSION PARTS WAREHOUSE

ILL NO.	DESCRIPTION	YEARS	QTY	PART NO
BANDS				
500D	Reverse Brake Band.....	91-00	1	4T60E.BAN03
501G	1-2 Brake Band.....	91-04	1	4T60E.BAN01
502G	Forward Brake Band.....	91-00	1	4T60E.BAN02
BUSHINGS				
Kit	Bush Kit.....	91-99	1	4T60E.BK01
550A	Converter Hub.....	91-99	1	TH125.BUS02
551A	Case Bush	91-99	1	TH125.BUS03
552A	Stator Support (Front).....	91-99	1	TH700.BUS11
553A	Sleeve, Channel Plate	91-99	1	4T60E.SL01
554C	Bush, Driven Sprocket Support	91-99	1	TH440.BUS08
558G	Bush, Rear Sun Gear (Front Wide).....	91-99	1	4T60E.BUS03
559G	Bush, Rear Sun Gear (Rear narrow).....	91-99	1	4T60E.BUS04
560G	Bush, 2-1 Coast Drum (31.75mm Wide)	96-99	1	4T60E.BUS05
561H	Bush, Final Drive Internal Gear (Front).....	91-99	1	TH440.BUS09
562H	Bush, Final Drive Internal Gear (Rear).....	91-99	1	TH440.BUS09
THRUST WASHERS & BEARINGS				
Kit	Thrust Washer (6 Washers No Selectives)	91-99	1	TH440.TK01
Kit	Repair, Final Drive Planet (16 Large Steel Washers)	91-99	1	TH440.TK02
Kit	Bearing Kit	91-99	1	TH440.TK03
600A	Thrust Washer, Drive Sprocket to Support	91-99	1	TH125.THW02
601A	Thrust Washer (Plastic) (4th Clutch hub to Driven Sprocket)	91-99	1	TH440.THW04
602A	Thrust Washer, Driven Sprocket to Support (4 Legs)	91-99	1	TH440.THW07
603A	Thrust Washer, Drive Sprocket to Channel Plate	91-99	1	TH440.THW06
604C	Thrust Washer, Support to 2nd Clutch Drum	91-99	1	TH440.THW08
610G	Oil Dam, Front Planet (Plastic).....	91-99	1	TH440.THW01
650B	Bearing, Pump Shaft.....	91-99	1	TH440.BE01
651C	Bearing, Driven Sprocket Sup... ..	91-99	1	TH440.BE02
652A	Bearing, Converter Reactor (Presses Inside).....	91-99	1	TH125.THW15
653A	Bearing, Output Shaft (Split Single Roller 19.05mm)	91-6/93	1	TH440.THW03
654C	Bearing, 4th Clutch Hub to Channel Plate	91-99	1	TH440.THW09
655G	Beaing, Front Planet to Sun Gear.....	91-99	1	4L80E.BE01
656G	Bearing, Front Planet to Rear Planet.....	91-99	1	TH440.THW10
657G	Bearing, Rear Planet to Sun Gear Drum.....	91-99	1	TH440.THW11
658H	Bearing, Reaction Drum to Internal Ring Gear.....	91-99	1	TH440.THW12
659H	Bearing, Park Gear to Ring Gear.....	91-95	1	TH440.THW13
659H	Bearing, Park Gear to Ring Gear.....	96-99	1	TH440.THW17
660E	Bearing, 2nd Clutch Drum to Input Drum	91-99	1	TH440.THW14
Kit	Shim Input Drum to Bearing (Click for Info) (Sonnax®, 0.254mm x 10).....	91-99	AR	TH440.TWK01
Kit	Shim Input Drum to Bearing (Click for Info) (Sonnax®, 0.508mm x 10).....	91-99	AR	TH440.TWK02
661E	Bearing, Input Drum (Rear).....	91-99	1	TH440.THW15

ILL NO.	DESCRIPTION	YEARS	QTY	PART NO
THRUST WASHERS & BEARINGS Cont...				
662G	Bearing, 1-2 Sprag to Forward Band Drum.....	96-99	1	TH440.THW16
663H	Bearing, Sun Gear to Diff Carrier (57.15mm O.D.)	97-ON	1	TH440.THW18
NI	Bearing Axle Stabiliser, R.Hand (Bearing & Seal Teckpak)	91-99	1	4T65E.BE01
NI	Bearing Axle Stabiliser, L.Hand (Bearing & Seal Teckpak)	91-99	1	TH440.BE03
ELECTRICAL COMPONENTS				
701A	Sensor, Output Speed (VSS) (2 Prong 50.80mm Tall).....	91-99	1	4T60E.ELE01
702A	Wiring Harness, Internal (7 Prong Connector, With 2, 1 Prong Connectors, Not PWM)	91-93	1	4T60E.ELE03
702A	Wiring Harness, Internal (6 Prong Connector, With 4, 2 Prong Connectors, PWM)	91-93	1	4T60E.ELE04
702A	Wiring Harness, Internal (With Thermister)	94-99	1	4T60E.ELE05
705B	Pressure Switch, 4th Clutch (1 Prong)	91-99	1	4T60E.ELE06
707B	Shift Solenoid 'A' (1-2/3-4)	91-99	1	4T60E.SOL02
709B	TCC Solenoid (PWM)	91-99	1	4T60E.SOL01
709B	TCC Solenoid (On/Off).....	91-99	1	4T60E.SOL02
710B	Shift Solenoid 'B' (2-3)	91-99	1	4T60E.SOL02
VALVE BODY PARTS				
Kit	Modulated Line Boost Valve, (Low Ratio) (Sonnax).....	91-99	1	4T60E.VA06
Kit	Modulated Line Boost Valve, (High Ratio) (Sonnax)	91-99	1	4T60E.VA09
Kit	Modulated Line Boost Valve, (1 Each, Low & High Ratio) (Sonnax)	91-99	1	TH440.VA02
Kit	Reverse Boost Valve, (Low Ratio) (Sonnax).....	91-99	1	4T60E.VA07
Kit	Reverse Boost Valve, (High Ratio) (Sonnax)	91-99	1	4T60E.VA08
Kit	Reverse Boost Valve, (1 Each, Low & High Ratio) (Sonnax)	91-99	1	TH440.VA03
Kit	TCC Apply Valve (Sonnax) (Standard Diameter)	91-96	1	TH440.VA04
Kit	TCC Apply Valve (Sonnax) (Standard Diameter)	97-99	1	4T60E.VA04
Kit	TCC Apply Valve (Sonnax) (Oversize) Requires 4T60E.TOOL06	91-96	1	4T60E.VA03
Kit	TCC Apply Valve (Sonnax) (Oversize) Requires 4T60E.TOOL06	97-99	1	4T60E.VA05
Kit	Tool Kit for 4T60E.VA03 & 4T60E.VA05 (Sonnax™).....	97-99	1	4T60E.TOOL06
Kit	TCC Regulator Valve & Isolator Valve (PWM Units) No Reaming Required (Sonnax)	93-99	1	4T60E.VA01
Kit	TCC Regulator Valve & Isolator Valve (PWM Units) 4T60E.TOOL01 Required (Sonnax)	91-92	1	4T60E.VA02
NI	Reamer For 4T60E.VA02.....	91-92	1	4T60E.TOOL01
Kit	1-2 & Reverse Servo Boost Valve (Sonnax® Click here for Info) (Requires Tool 4T60E.VA15)	91-99	1	TH440.VA10

4T60E (M13)

4 SPEED FWD (Electronic Control)



AUTOMATIC CHOICE



THE AUTOMATIC TRANSMISSION PARTS WAREHOUSE

ILL NO.	DESCRIPTION	YEARS	QTY	PART NO
VALVE BODY PARTS Cont...				
Kit	Tool Kit For TH440.VA10	91-99	1	4T60E.VA15
Kit	Oversize Pressure Regulator Valve (Requires 4T60E.VA17 Toolkit) (Sonnax® Click here for Info) ...	91-99	1	4T60E.VA16
Kit	Toolkit for 4T60E.VA16 (Sonnax®).....	91-99	1	4T60E.VA17
NI	2 x Reamers (Sonnax) For TH440.VA07	91-99	1	4T60E.TOOL05
NI	Plunger, Throttle Valve (10.0584mm Dia)	91-99	1	TH440.VA07
NI	1-2 Shift Valve (Sonnax)	91-99	1	4T60E.VA10
NI	2-3 Shift Valve (Sonnax)	91-99	1	4T60E.VA11
NI	3-2 Downshift Valve (Sonnax) ...	91-99	1	4T60E.VA12
NI	3-4 Shift Valve (Sonnax)	91-99	1	4T60E.VA13
NI	4-3 Downshift Valve (Sonnax) ...	91-99	1	4T60E.VA14
HARD PARTS				
805A	Drive Chain (Round Pin 22mm Wide).....	91-93	1	TH440.CH01
805A	Drive Chain (Exc Round Pin, Replaces Rocker Joint Pins & 'D' Pins).....	93-99	1	4T60E.CH01
806A	Drive Sprocket, (33 Teeth 95.40mm OD)	91-92	1	TH440.GE01
806A	Drive Sprocket, (37 Teeth 107.50mm OD)	91-92	1	TH440.GE03
806A	Drive Sprocket, (35 Teeth 100.076mm OD)	93-99	1	4T60E.GE03
807A	Gear, Driven Sprocket (35Teeth).....	91-92	1	4T65E.GE01
807A	Driven Sprocket (33T x 93.98mm OD)	93-99	1	4T60E.GE01
807A	Driven Sprocket (37T x 106.198mm OD)	93-99	1	4T60E.GE02
808A	Shaft, Turbine (152.40mm Long).....	91-99	1	4T60E.SH03
810A	Support, Drive Sprocket.....	91-99	1	TH125.GE02
816A	Extended Length Fwd BandServo Pin Kit (Sonnax® Click for info)	91-99	1	4T60E.PIN04
817A	Piston, 2-3 Accumulator (Deep Design Without Spring Recess)	91-99	1	TH440.ACC01
817A	Piston, 2-3 Accumulator (Deep Design With Spring Recess)	91-99	1	TH440.ACC02
817aA	2-3 Accumulator Pin (Sonnax Oversized) (x 4, Use With 4T60E.PIN01)....	91-99	AR	TH440.VA01
818A	Piston, 1-2 Accumulator (Deep Design Without Spring Recess)	91-99	1	TH440.ACC01
818A	Piston, 1-2 Accumulator (Deep Design With Spring Recess)	91-99	1	TH440.ACC02
818aA	1-2 Accumulator Pin (Sonnax Oversized) (x 4, Use With 4T60E.PIN01)....	91-99	AR	TH440.VA01
NI	Reamer & 10 Pins, For Repair of OE 1-2 & 2-3 Accumulator With Pin Diameter of 7.848mm)	91-99	AR	4T60E.PIN01
819A	Accumulator Cover	93-99	1	4T60E.COV01
827A	Pump Assy (No Switches).....	91-94	1	4T60E.PUM01
827A	Pump Assy (2 Switches, No Brass Air Bleed).....	91-94	1	4T60E.PUM02
827A	Pump Assy (No Switches).....	95-99	1	4T60E.PUM03
828B	Pump Vane, (17.970mm)	91-99	9	TH440.PUM03
829B	Ring, Pump Vane	91-99	2	TH440.PUM06
830B	Pump Slide (17.968mm)	91-99	1	4T60E.PUM04
Kit	Pump Rotor (17.968mm)	91-99	1	TH440.PUM11
831B	Pivot Pin, Pump Slide, Grooved Version (Sonnax®, 5 pack, Click for info)....	91-99	AR	4T60E.PIN03

ILL NO.	DESCRIPTION	YEARS	QTY	PART NO
HARD PARTS Cont...				
837B	Shaft, Oil Pump Drive (247.65mm Long).....	91-99	1	4T60E.SH01
838C	Hub & Shaft, 4th Clutch (Bearing at the Clutch Hub End, No Sleeve/Race at Splined End)....	91-E93	1	TH440.DRU01
838C	Hub & Shaft, 4th Clutch (Bearing at the Clutch Hub End, Has Sleeve/Race at Splined End)	L93-95	1	4T60E.DRU04
838C	Hub & Shaft, 4th Clutch (No Bearing at the Clutch Hub End, Has Sleeve/Race at Splined End)	96-99	1	4T60E.DRU02
840C	Support, Driven Sprocket.....	92-99	1	4T60E.SUP01
842D	Drum, 2nd Clutch (6Plate) (Used With Moulded Piston)	91-99	1	4T60E.DRU03
844E	Input Drum (Bearing Type).....	91-E93	1	4T60E.DRU07
844E	Input Drum (With Caged Bearing Inside).....	L93-99	1	4T60E.DRU09
845E	Piston, Input Clutch (10 Frictions On 3rd Clutch).....	91-99	1	TH440.PIS03
846E	Housing, 3rd Clutch (Takes Moulded Piston) (No Check Ball).....	91-95	1	TH440.DRU03
847E	Kit, Third Clutch Piston (Sonnax®, Click for info)	91-95	1	4T60E.PIS02
849F	One Way Clutch, 3rd.....	91-E93	1	TH440.OWC04
850F	One Way Clutch Assy, 3rd Roller (With 28.60mm Clutch Hub).....	91-E93	1	TH440.OWC03
850F	One Way Clutch Assy, 3rd Roller (Complete Assy).....	L93-99	1	4T60E.OWC01
NI	Spring Kit, 3rd One Way Clutch	91-99	1	TH440.OWC06
852F	One Way Clutch, Low Input (10.16mm Wide)	91-E93	1	TH440.OWC01
853F	One Way Clutch Assy, Low Input (10.16mm Wide) Complete	91-E93	1	TH440.OWC02
854F	Sun Gear, Input.....	91-E93	1	TH440.SUN02
854F	Sun Gear, Input (With 2 Flats on Splines).....	L93-99	1	4T60E.SUN02
855F	Shell, Reverse Reaction	91-99	1	TH440.POT01
856G	Front Planetary (With Bushing)	91-E93	1	4T60E.PL01
856G	Front Planetary (Without Bushing)	L93-99	1	4T60E.PL04
857G	Rear Planetary, (Inner Spline Beveled at Both Ends)	91-99	1	TH440.PL02
858G	Reaction Drum, With Sun Gear (69.85mm Tall)	91-95	1	4T60E.SUN01
859G	Inner Race, 1-2 Roller Clutch) ..	91-95	1	4T60E.OWC02
860G	One Way Clutch, 1-2 Roller (14 Rollers, Plastic Cage)	96-99	1	4T60E.OWC04
861G	Forward Drum, (16 Roller Type Sprag).....	91-95	1	4T60E.DRU01
861G	Forward Drum, (14 Roller Type Sprag).....	96-ON	1	4T60E.DRU10
863H	Ring Gear, Final Drive (Right Angled Teeth)	91-95	1	4T60E.PL02
863H	Ring Gear, Final Drive (Left Angled Teeth).....	L93-95	1	4T60E.PL05
863H	Ring Gear, Final Drive (Right Angled Teeth)	96-99	1	4T60E.PL06
863H	Ring Gear, Final Drive (Left Angled Teeth).....	96-99	1	4T60E.PL07
864H	Parking Gear.....	91-99	1	TH440.GE02
865H	Sun Gear, Final Drive (34 Left Angled Teeth, 3.29).....	91-95	1	TH440.SUN03
865H	Sun Gear, Final Drive (34 Teeth).....	96-99	1	TH440.SUN04
866H	Differential Assy, (30T Sun Gear, 20T Pinion, 30T Pick Up) (3.33 Ratio)	91-95	1	TH440.DIFF02

4T60E (M13) 4 SPEED FWD (Electronic Control)



A
U
T
O
M
A
T
I
C
C
H
O
I
C
E



T
H
E
A
U
T
O
M
A
T
I
C
T
R
A
N
S
M
I
S
S
I
O
N
P
A
R
T
S
W
A
R
E
H
O
U
S
E

ILL NO.	DESCRIPTION	YEARS	QTY	PART NO
HARD PARTS Cont...				
866H	Differential Assy, (34T Sun Gear, 18T Pinion, 30T Pick Up) (3.06 Ratio)	91-95	1	TH440.DIFF01
866H	Final Drive Kit (3.29 / 3.33 Ratio)	96-ON	1	TH440.DIFF03
868F	Retainer, Input Sprag (2nd Design 1.90mm Thick)	91-93	1	TH440.RET01
869F	Spacer, Sun Gear (8.890mm)	91-E93	1	TH440.SPA02
SPECIAL ITEMS				
NI	Cooler Line Fitting (With Check Ball)	91-99	1	TH440.COL01
NI	Diff Lube Tube Retainer (Sonnax® Click here for Info) ...	91-99	1	4T60E.RET01
TOOLS & MANUALS				
NI	ATSG Repair Manual	91-99	1	4T60E.MAN01
NI	GM Technicians Guide	91-99	1	4T60E.MAN02
NI	Reamer For 4T60E.VA02	91-92	1	4T60E.TOOL01
NI	2 x Reamers (Sonnax) For TH440.VA07	91-99	1	4T60E.TOOL05
NI	Reamer & 10 Pins, For Repair of OE 1-2 & 2-3 Accumulator With Pin Diameter of 7.848mm)	91-99	AR	4T60E.PIN01
NI	1-2 & 2-3 Accumulator Pin (x 4, Use With 4T60E.PIN01)	91-99	AR	4T60E.PIN02
Click here to view special tools for this transmission				

ILL NO.	DESCRIPTION	YEARS	QTY	PART NO
---------	-------------	-------	-----	---------