

# 4L80E (MT-1), 4L85E (MN8)

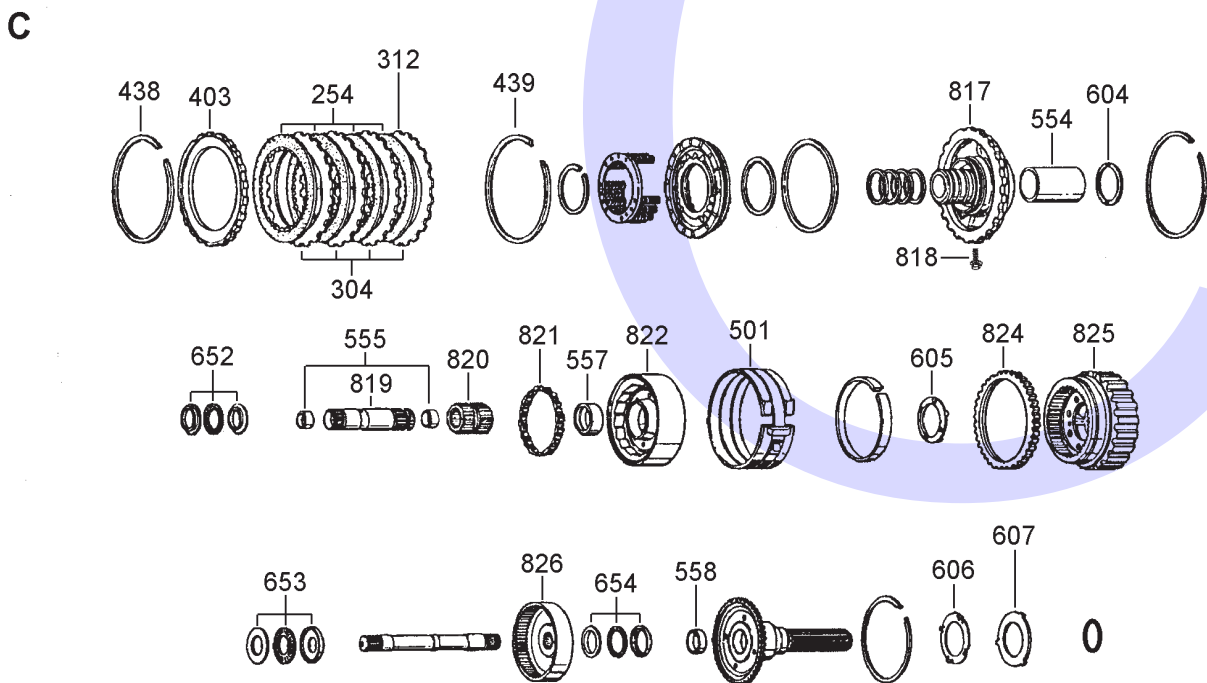
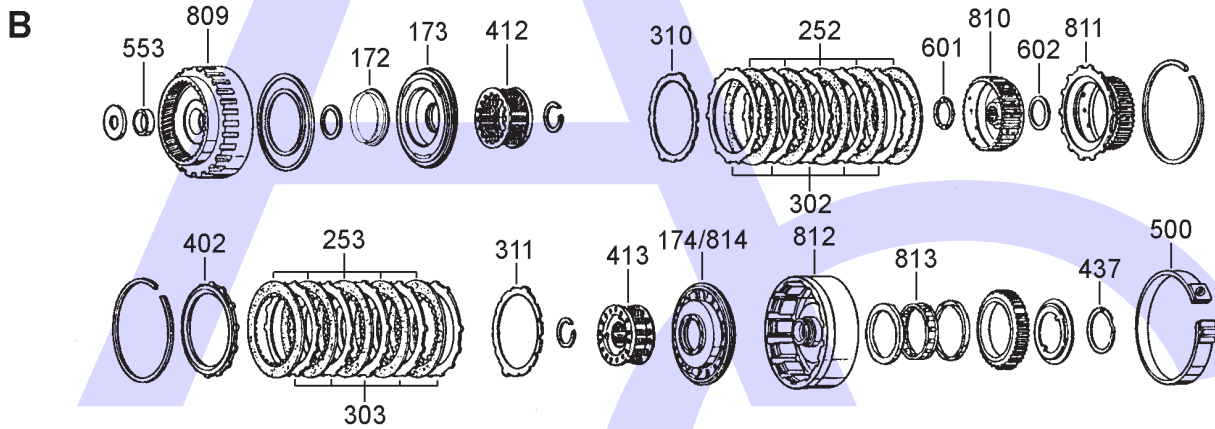
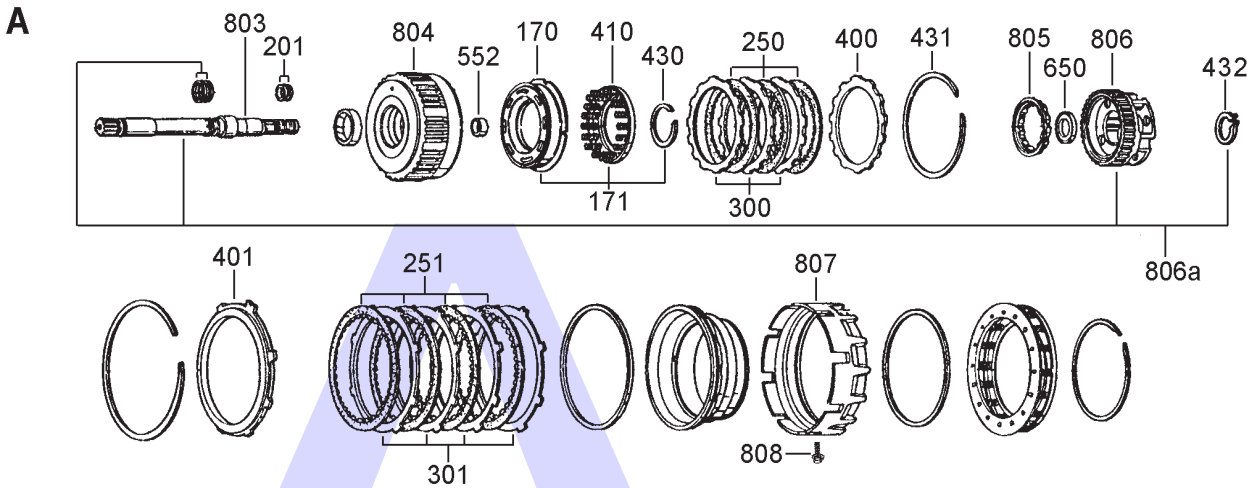
## 4 SPEED RWD (Electronic Control)



AUTOMATIC CHOICE



THE AUTOMATIC TRANSMISSION PARTS WAREHOUSE



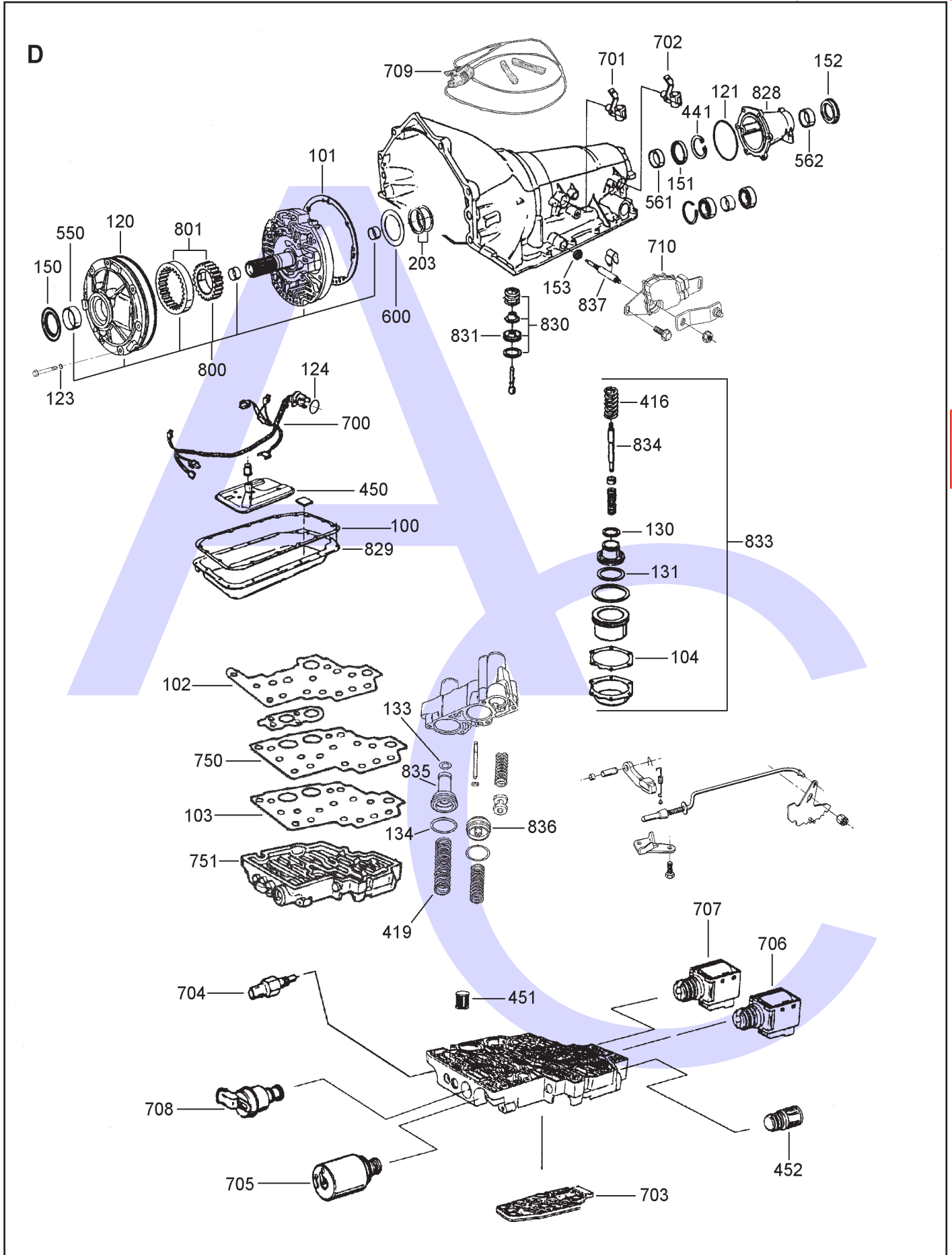
# 4L80E (MT-1), 4L85E (MN8) 4 SPEED RWD (Electronic Control)



AUTOMATIC CHOICE



THE AUTOMATIC TRANSMISSION PARTS WAREHOUSE



# 4L80E (MT-1), 4L85E (MN8)

## 4 SPEED RWD (Electronic Control)



AUTOMATIC CHOICE



THE AUTOMATIC TRANSMISSION PARTS WAREHOUSE

ILL NO.	DESCRIPTION	YEARS	QTY	PART NO
<b>KITS</b>				
Kit	Master Overhaul Kit (Less Jaguar Pan Gasket) .....	91-ON	1	<b>4L80E.MOHK01</b>
Kit	Overhaul Kit (Transtec) (Less Jaguar Pan Gasket) .....	91-ON	1	<b>4L80E.OHK01</b>
Kit	Overhaul Kit (Precision) (Less Pan Gasket) .....	91-96	1	<b>4L80E.OHK51</b>
Kit	Overhaul Kit (Precision) (Less Pan Gasket & Pistons) ....	97-02	1	<b>4L80E.OHK52</b>
Kit	Sonnax™ Sure Cure Kit.....	91-ON	1	<b>4L80E.SCK01</b>
Kit	Plug, 4L80E, Pump Channel (Converts 4L80E.PUM02 to No Cooler) .....	97-On	1	<b>4L80E.GSK01</b>
<b>GASKETS</b>				
100D	Oil Pan, GM, Bently & Some Rolls Royce .....	91-ON	1	<b>4L80E.GAS01</b>
100D	Oil Pan, Bonded Rubber, GM, Bently & some Rolls Royce.....	91-ON	1	<b>4L80E.GAS03</b>
100D	Oil Pan, Jaguar 93> & 92-3 Rolls Silver Spirit II.....	92-ON	1	<b>4L80E.GAS02</b>
100D	Oil Pan, Bonded Rubber, Jaguar 93> & 92-3 Rolls Silver Spirit II .....	92-ON	1	<b>4L80E.GAS09</b>
101D	Pump to Case .....	91-ON	1	<b>4L80E.GAS04</b>
102D	Valve Body (Upper).....	91-ON	1	<b>4L80E.GAS06</b>
103D	Valve Body (Lower).....	91-ON	1	<b>4L80E.GAS05</b>
104D	Rear Servo Cover .....	91-ON	1	<b>4L80E.GAS08</b>
<b>RUBBER COMPONENTS</b>				
120D	Pump to Case Seal.....	91-ON	1	<b>TH400.SQR01</b>
121D	Seal, Lathe Cut Extension Housing to Main Case.....	91-ON	1	<b>4L80E.SQR02</b>
123D	'O' Ring, Pump Bolt.....	91-ON	7	<b>4L80E.GAS07</b>
124D	'O' Ring, Case Connector (Green) Larger Cross Section than Early Orange Ring .....	96-ON	1	<b>4L60E.OR01</b>
130D	Seal, Lathe Cut 1-2 Accumulator (Inner) .....	91-ON	1	<b>4L80E.SQR04</b>
131D	Seal, Lathe Cut 1-2 Accumulator (Outer).....	91-ON	1	<b>4L80E.SQR05</b>
833D	Seal, Lathe Cut 3rd Accumulator (Small).....	91-ON	1	<b>4L80E.SQR06</b>
834D	Seal, Lathe Cut 3rd Accumulator (Large) .....	91-ON	1	<b>4L80E.SQR07</b>
<b>METAL CLAD SEALS</b>				
150D	Front Pump .....	91-ON	1	<b>4L80E.MCS01</b>
151D	Case Seal .....	91-ON	1	<b>4L80E.MCS03</b>
152D	Extension Housing (68.58mm OD) (w/ Boot).....	91-ON	1	<b>4L80E.MCS02</b>
152D	Extension Housing (68.58mm OD) (w/o Boot).....	91-ON	1	<b>TH400.MCS01</b>
152D	Extension Housing (73.15mm OD) (w/o Boot).....	91-ON	1	<b>TH400.MCS04</b>
153D	Selector Shaft .....	91-ON	1	<b>TH180.MCS03</b>
<b>MOULDED PISTONS</b>				
170A	Piston, Overrun Clutch (Bonded Rubber) .....	91-ON	1	<b>4L80E.PIS01</b>
171A	Piston Set, Overrun Clutch .....	91-ON	1	<b>4L80E.PIS08</b>
172B	Bonded Sleeve, Forward Clutch (Bonded With 2.20mm Orifice) (Replaces All).....	97-ON	1	<b>4L80E.PIS07</b>
173B	Piston, Forward Clutch (Bonded Lip Seal) .....	97-ON	1	<b>4L80E.PIS03</b>
174B	Piston, Direct Clutch (Bonded Rubber) .....	97-ON	1	<b>4L80E.PIS02</b>

ILL NO.	DESCRIPTION	YEARS	QTY	PART NO
<b>SEALING RINGS</b>				
Kit	Shaft Sealing Ring Kit.....	91-ON	1	<b>4L80E.SRK01</b>
201A	Turbine Shaft to Forward Drum (Teflon).....	91-ON	2	<b>4L80E.SSR04</b>
203D	Stator Rear (Teflon Solid).....	91-ON	2	<b>4L80E.SSR05</b>
<b>FRICTION PLATES</b>				
Kit	Friction Plate .....	90-96	1	<b>4L80E.FRK01</b>
Kit	Friction Plate (Alto) .....	90-96	1	<b>4L80E.FRK51</b>
Kit	Friction Plate (Alto Red Eagle) ..	90-96	1	<b>4L80E.FRK53</b>
Kit	Friction Plate (High Energy).....	97-ON	1	<b>4L80E.FRK02</b>
Kit	Friction Plate (Alto) .....	97-ON	1	<b>4L80E.FRK52</b>
250A	Overrun Clutch (136mm OD x 2.00mm x 45T) ..	91-ON	3	<b>4L80E.FRP01</b>
251A	4th Clutch/Overdrive Brake (185mm OD x 2.00mm x 60T) ..	91-ON	4	<b>4L80E.FRP02</b>
252B	Forward Clutch (Flat) (150mm OD x 2.00mm x 42T) ..	91-95	5	<b>TH400.FRP01</b>
252B	Forward Clutch (Flat) (Alto) (150mm OD x 2.00mm x 42T) ..	91-95	5	<b>TH400.FRP51</b>
252B	Forward Clutch (Smooth) (Alto Red Eagle) (150mm OD x 1.52mm x 42T) ..	64-98	AR	<b>TH400.FRP53</b>
252B	Forward Clutch (Hi-Energy, Graphite) (150mm OD x 2.00mm x 42T) ..	96-on	5	<b>4L80E.FRP05</b>
253B	Direct Clutch (Flat) (150mm OD x 2.00mm x 42T) ..	91-95	5-6	<b>TH400.FRP01</b>
253B	Direct Clutch (Smooth) (Alto Red Eagle) (150mm OD x 1.52mm x 42T) ..	64-98	AR	<b>TH400.FRP53</b>
253B	Direct Clutch (Hi-Energy, Graphite) (150mm OD x 2.00mm x 42T) ..	96-on	5-6	<b>4L80E.FRP05</b>
254C	Intermediate Brake (167mm OD x 2.00mm x 47T) ..	91-95	4	<b>4L80E.FRP03</b>
254C	Intermediate Brake (167mm OD x 1.80mm x 47T) ..	96-ON	4	<b>4L80E.FRP06</b>
<b>STEEL PLATES</b>				
Kit	Steel Plate.....	90-96	1	<b>4L80E.STK01</b>
Kit	Steel Plate (Alto).....	90-96	1	<b>4L80E.STK51</b>
Kit	Steel Plate.....	97-ON	1	<b>4L80E.STK02</b>
Kit	Steel Plate (Alto).....	97-ON	1	<b>4L80E.STK52</b>
300A	Overrun Clutch (115mm ID x 2.50mm x 14T) ....	91-96	3	<b>4L80E.STP01</b>
300A	Overrun Clutch With Turbulator Holes (115mm ID x 2.50mm x 14T) ....	97-ON	3	<b>4L80E.STP05</b>
301A	4th Clutch/Overdrive Brake (160mm ID x 2.50mm x 8T) .....	91-96	4	<b>4L80E.STP02</b>
301A	4th Clutch/Overdrive Brake With Turbulator Holes (160mm ID x 2.50mm x 8T) .....	97-ON	4	<b>4L80E.STP04</b>
302B	Forward Clutch Flat (116mm ID x 1.96mm x 12T) ....	91-ON	5	<b>TH400.STP02</b>
303B	Direct Clutch Flat (116mm ID x 2.30mm x 12T) ....	91-ON	5	<b>TH400.STP03</b>
304C	Intermediate Brake (127mm ID x 1.93mm x 21T) ....	91-ON	4	<b>4L80E.STP03</b>
310B	Forward Clutch Dished Steel (2 Tangs).....	91-ON	1	<b>TH400.DIA01</b>
310B	Forward Clutch Waved (116mm ID x 1.00mm x 14T) ....	97-ON	1	<b>4L80E.STP06</b>
310B	Forward Clutch Waved (116mm ID x 1.06mm x 12T) ....	97-ON	1	<b>4L80E.STP07</b>
310B	Forward Clutch Waved (116mm ID x 1.06mm x 6T) .....	97-ON	1	<b>4L80E.STP08</b>
311B	Direct Clutch Dished Steel (2 Tangs).....	91-ON	1	<b>TH400.DIA01</b>
311B	Direct Clutch Waved (116mm ID x 1.00mm x 14T) ....	97-ON	1	<b>4L80E.STP06</b>
311B	Direct Clutch Waved (116mm ID x 1.06mm x 12T) ....	97-ON	1	<b>4L80E.STP07</b>

# 4L80E (MT-1), 4L85E (MN8)

## 4 SPEED RWD (Electronic Control)



AUTOMATIC CHOICE



THE AUTOMATIC TRANSMISSION PARTS WAREHOUSE

ILL NO.	DESCRIPTION	YEARS	QTY	PART NO
<b>STEEL PLATES Cont...</b>				
311B	Direct Clutch Waved (116mm ID x 1.06mm x 6T) .....	97-ON	1	4L80E.STP08
312C	Intermediate Waved (127mm ID x 1.78mm x 21T) ....	64-98	1	TH400.STP05
<b>PRESSURE PLATES</b>				
400A	Overrun Clutch.....	91-ON	1	4L80E.PP03
401A	4th Clutch/Overdrive Brake (8 Lug Type).....	91-98	1	4L80E.PP02
	(2 Lug Type).....	91-09	1	4L80E.PP06
402B	Direct Clutch .....	91-ON	1	4L80E.PP01
403C	Intermediate Brake.....	91-98	1	4L80E.PP04
403C	Intermediate Brake (7.00mm, No Lip) .....	99-ON	1	4L80E.PP05
<b>SPRINGS &amp; CIRCLIPS</b>				
Kit	1-2 & 2-3 Shift Valve Spring Kit (Includes Both Springs) (Sonnax® <a href="#">Click here for Info</a> ) ...	91-ON	1	4L80E.VA09
410A	Retainer w/ Spring, Overrun Clutch Return .....	91-ON	1	4L80E.SPR04
412B	Retainer w/ Spring, Forward Clutch Return.....	91-ON	1	4L80E.SPR03
413B	Retainer w/ Spring, Direct Clutch Return.....	91-ON	1	4L80E.SPR03
416D	Spring, Rear Servo (Yellow).....	91-ON	1	TH400.SPR06
419D	Spring, 3rd Clutch Accumulator (Green 85mm x 28mm).....	91-ON	1	4L80E.SPR01
430A	Circlip, Spring Retainer to Drum (Overrun Clutch) .....	91-ON	1	4L80E.CIR03
431A	Circlip, Overrun Clutch Pressure Plate Retaining .....	91-ON	1	4L80E.CIR04
432A	Circlip, Turbine Shaft to Overdrive Planetary .....	91-ON	1	4L80E.CIR08
437B	Spiral Circlip, Int Sprag Retainer ..	91-ON	1	4L80E.CIR09
438C	Circlip, Intermediate Clutch (Outer).....	91-ON	1	4L80E.CIR05
439C	Circlip, Intermediate Clutch (Inner) .....	91-ON	1	4L80E.CIR06
441D	Circlip, Rear Main Case Seal Retainer .....	91-ON	1	4L80E.CIR07
NI	Circlip, Front Servo Spring Retainer .....	91-ON	1	4L80E.CIR01
NI	Circlip, TCC Valve Retaining (Pack of 10).....	91-ON	1	4L80E.CIR02
<b>FILTERS</b>				
450D	Pan Filter.....	91-96	1	4L80E.FIL01
450D	Pan Filter (17mm Deeper Pan) .	97-ON	1	4L80E.FIL05
451D	Screen, Force Motor/Pressure Control Solenoid .....	91-ON	1	4L80E.FIL02
452D	Screen, Shift Solenoid (In Valve Body w/ O-Ring).....	91-ON	2	4L80E.FIL03
NI	Screen, PWM/TCC Solenoid-In Case (Thimble Type) .....	91-ON	1	4L80E.FIL04
<b>BANDS</b>				
500B	Front (25.40mm Wide).....	91-ON	1	TH400.BAN01
500B	Front (1 1/4" Wide) (Hi-Energy) (Will Retro Fit 91-ON) .....	99-ON	1	TH400.BAN04
501C	Reverse (New) .....	91-ON	1	TH400.BAN02
501C	Reverse (Reline).....	91-ON	1	TH400.BAN03

ILL NO.	DESCRIPTION	YEARS	QTY	PART NO
<b>BUSHES</b>				
Kit	Bush Kit For 91-92 vehicles, you will need to add 1 x 4L80E.BUS06 notched Case Bush #561D .....	93-96	1	4L80.BK01
Kit	Bush Kit.....	97-ON	1	4L80.BK02
550D	Front Pump (14.00mm Wide)....	91-96	1	4L80E.BUS01
550D	Front Pump (17.78mm Wide)....	97-ON	1	4L80E.BUS03
552A	Overrun Drum (Rear).....	91-ON	2	TH400.BUS07
553B	Forward Clutch Drum.....	91-ON	1	4L80E.BUS08
554C	Centre Support.....	91-E97	1	4L80E.BUS04
554C	Center Support, w/ Center Lube Circuit 102.20mm Long.....	L97-ON	1	4L80E.BUS07
555C	Sun Gear Shaft .....	91-ON	1-2	TH400.BUS07
557C	Planetary Carrier.....	91-ON	1	TH400.BUS05
558C	Output Shaft.....	91-ON	1	TH400.BUS06
559D	Wide Front Stator Support Bushing X 4 (Sonnax® <a href="#">Click Here for Info</a> ) ...	91-ON	1	4L80E.BUS09
561D	Case, Notched (OEM Style).....	91-ON	1	4L80E.BUS06
561D	Case, (Flanged "No Walk-Out") (Sonnax® <a href="#">Click Here for Info</a> ) ...	91-ON	1	4L80E.BUS02
561D	Case, (Flanged "No Walk-Out", Oversize) (Sonnax® <a href="#">Click Here for Info</a> ) ...	91-ON	1	4L80E.BUS10
562D	Extension Housing.....	91-ON	1	4L80E.BUS05
<b>THRUST BEARINGS &amp; WASHERS</b>				
Kit	Thrust Washer Kit .....	91-ON	1	4L80E.TWK01
Kit	Selective Pump Thrust Kit (5) ...	91-ON	1	4L80E.TWK02
Kit	Thrust Bearing Kit .....	91-ON	1	4L80E.TWK03
600D	Pump Stator to Overrun Clutch Housing (Blue 1.50mm Thick).....	91-ON	AR	4L80E.THW01
	(Red 1.90mm Thick) .....	91-ON	AR	4L80E.THW02
	(Brown 2.30mm Thick).....	91-ON	AR	4L80E.THW03
	(Green 2.70mm Thick) .....	91-ON	AR	4L80E.THW04
	(Black 3.10mm Thick) .....	91-ON	AR	4L80E.THW05
601B	Forward Clutch Hub to Forward Clutch Housing .....	91-ON	1	TH400.THW08
602B	Forward Clutch Hub to Direct Clutch Housing .....	91-ON	1	TH400.THW09
604C	Center Support to Front Planet (Metal).....	91-ON	1	TH400.THW10
605C	Thrust Washer, 4 Tang Plastic Front to Rear Planetary.....	91-ON	1	TH400.THW12
606C	Output Shaft to Case (4-Tang) (Metal).....	91-ON	1	TH400.THW15
607C	Output Shaft to Case (3 Tang) Selective (1.93mm Thick) .....	91-ON	AR	TH400.THW16
	Selective (2.13mm Thick) .....	91-ON	AR	TH400.THW17
	Selective (2.34mm Thick) .....	91-ON	AR	TH400.THW18
	Selective (2.54mm Thick) .....	91-ON	AR	TH400.THW19
	Selective (2.74mm Thick) .....	91-ON	AR	TH400.THW20
	Selective (2.95mm Thick) .....	91-ON	AR	TH400.THW21
607C	Case Saver (3 Tang Washer Replacement) .	64-98	1	TH400.THW23
650A	Bearing W/Race, O.D. planet....	91-ON	1	4L80E.BE01
652C	Bearing w/ Race, Center Support to Sun Gear.....	91-ON	1	TH400.THW11
653C	Bearing w/ Race, Sun Gear to Rear Ring Gear.....	91-96	1	TH400.THW13
653C	Bearing w/ Race, Sun Gear to Rear Ring Gear.....	97-ON	1	4L80E.TOR01
654C	Bearing w/ Race, Rear Ring Gear to Output Shaft.....	91-ON	1	TH400.THW14
<b>ELECTRICAL COMPONENTS</b>				
Kit	Master Solenoid Kit.....	91-ON	1	4L80E.SOL06
Kit	Inhibitor Switch Repair Kit.....	95-00	1	4L60E.ELE10
700D	Wiring Harness, Universal Internal & External Repair w/ External Connectors & Wires With Temp Sensor) (Retro Fit) Rostra ( <b>Not Jaguar</b> )	91-03	1	4L80E.ELE01



# 4L80E (MT-1), 4L85E (MN8)

## 4 SPEED RWD (Electronic Control)



AUTOMATIC CHOICE



THE AUTOMATIC TRANSMISSION PARTS WAREHOUSE

ILL NO.	DESCRIPTION	YEARS	QTY	PART NO
<b>ELECTRICAL COMPONENTS Cont...</b>				
700D	Wiring Harness, Internal Repair (Not Jaguar).....	04-ON	1	4L80E.ELE11
700D	Wiring Harness, (Jaguar).....	91-ON	1	4L80E.ELE10
701D	Input Speed Sensor.....	91-ON	1	4L80E.ELE02
702D	Output Speed Sensor.....	91-ON	1	4L80E.ELE02
703D	Switch, Manifold Pressure (OE).....	91-ON	1	4L80E.ELE05
703D	Switch, Manifold Pressure (AM).....	91-ON	1	4L80E.ELE12
704D	Sensor, Temperature.....	91-ON	1	4L80E.ELE07
705D	Solenoid, EPC (Borg Warner) (OEM Has Black Connector) Needs TH700.RET01 For Vehicles Between 1991 & 1993.....	91-03	1	4L30E.SOL01
705D	Press Control Soenoid (EPC) (1.5" Silver Can, 2 Prong Connector on the Bottom).....	91-93	1	4L30E.SOL02
705D	Solenoid, EPC.....	04-ON	1	4L80E.SOL07
NI	Retaining Bracket (EPC Sol).....	91-93	1	TH700.RET01
706D	Solenoid, 1-2, 3-4 Shift (Solenoid 'A').....	91-ON	1	4L80E.SOL02
707D	Solenoid, 2-3 Shift (Solenoid 'B').....	91-ON	1	4L80E.SOL03
708D	Solenoid, TCC, PWM.....	91-ON	1	4L80E.SOL04
709D	Speed Sensor Harness Repair Kit.....	91-ON	1	4L80E.ELE06
710D	Switch, MLP Sensor (PRNDL) (One 7 Prong Connector & One 4 Prong Connector).....	95-03	1	4L60E.ELE03
710D	Switch, Park/Neutral, Backup (Single Plug 12 Pin).....	04-ON	1	4L60E.ELE07
<b>VALVE BODY'S &amp; PARTS</b>				
Kit	Junior Shift Kit (TransGo®).....	91-ON	1	4L80E.SK01
Kit	Manual Stick Shift Conversion Kit (TransGo®).....	91-ON	1	4L80E.SK03
Kit	Shift Correction Package (Superior®).....	93-ON	1	4L80E.SK02
Kit	1-2 & 2-3 Shift Valve Spring Kit (Includes Both Springs) (Sonnax® <a href="#">Click here for Info</a> ) ...	91-ON	1	4L80E.VA09
Kit	Reverse Boost Valve & Sleeve Kit With 'O' Rings (Sonnax).....	91-ON	1	4L80E.VA02
Kit	Reverse Boost Valve & Sleeve Kit With 'O' Rings Self Regulating (Sonnax).....	91-ON	1	4L80E.VA05
Kit	TCC Regulator Valve Kit (Sonnax).....	91-ON	1	4L80E.VA03
Kit	TCC Regulator Valve & Sleeve Kit (Requires Tool 4L80E.VA12 & Valve Body Fixture AG4.VA05) (Sonnax® <a href="#">Click Here for Info</a> ) ...	91-ON	1	4L80E.VA11
Kit	Toolkit for 4L80E.VA11 (Sonnax®).....	91-On	1	4L80E.VA12
Kit	Line Pressure Booster (Sonnax® <a href="#">Click Here for Info</a> ) ...	91-ON	1	4L80E.VA14
NI	Manual Valve (Sonnax® <a href="#">Click here for Info</a> ) ...	91-ON	1	4L80E.VA13
Kit	End Plug & 'O' Ring, AFL Filter (Sonnax® <a href="#">Click here for Info</a> ) ...	91-ON	1	4L80E.VA16
Kit	Accumulator Control Valve Kit (Oversize) (Requires Tool 4L80E.VA15 & Valve Body Fixture AG4.VA05) (Sonnax® <a href="#">Click Here for Info</a> ) ...	91-ON	1	4L80E.VA17
Kit	Toolkit for 4L80E.VA17 (Sonnax®).....	91-On	1	4L80E.VA15
750D	Plate, Valve Body (Universal) (Transgo).....	91-ON	1	4L80E.SP01

ILL NO.	DESCRIPTION	YEARS	QTY	PART NO
<b>VALVE BODY'S &amp; PARTS Cont...</b>				
751D	Valve Body (Repaired Various) (Transmission Details Required).....	91-ON	1	4L80E.VBxx
NI	TCC & PR Valve End Plugs (Sonnax®).....	91-ON	1	4L80E.VA01
NI	Actuator Feed Limit valve (Sonnax®).....	91-ON	1	4L80E.VA04
NI	Lube Regulated Pressure Regulator Valve (Sonnax® <a href="#">Click Here for Info</a> ) ...	91-ON	1	4L80E.VA10
<a href="#">Vacuum Test Point Locations (Sonnax®)</a>				
<b>HARD PARTS</b>				
Kit	Front Servo, Piston & Sleeve Kit (Sonnax®).....	91-ON	1	TH400.ACC02
800D	Pump, Both Cooler Lines Behind Bellhousing.....	91-96	1	4L80E.PUM01
800D	Pump, Only One Cooler Line Behind Bellhousing.....	97-ON	1	4L80E.PUM02
801D	Pump Gear Set.....	91-ON	1	4L80E.PUM03
803A	Shaft, Turbine.....	91-ON	1	4L80E.SH01
804A	Overrun Clutch w/ Sun Gear (Uses 4L80E.OWC01).....	91-E01	1	4L80E.DRU01
804A	Overrun Clutch w/ Sun Gear (Uses 4L80E.OWC03).....	01-ON	1	4L80E.DRU05
805A	Roller Clutch, Overdrive (.310"OD Rollers, 3 1/4"OD Roller Clutch).....	91-E01	1	4L80E.OWC01
805A	Roller Clutch, Overdrive (.195"OD Rollers, 3"OD Roller Clutch).....	E01-ON	1	4L80E.OWC03
806A	Overdrive Planetary (2 Missing Splines) (3.215" Diameter Inside Race) ..	91-92	1	4L80E.PL01
806A	Overdrive Planetary (4 Missing Splines) (3.210" Diameter Inside Race) ..	93-00	1	4L80E.PL05
806A	Overdrive Planetary (4 Missing Splines) (3.010" Diameter Inside Race) ..	01-ON	1	4L80E.PL07
Kit	Repair Kit, Overdrive Planetary (Planet/FWD & Overrun Drum) ..	93-01	1	4L80E.PLK01
806aA	Overdrive Planet Kit, (3.025" Diameter Inside Race) (Includes Hardened Planetary & Turbine Shaft, also One Retaining Circlip & Two Sealing Rings).....	01-ON	1	4L80E.PLK02
807A	Drum, 4th Clutch/OD Brake.....	91-ON	1	4L80E.DRU04
808A	Bolt, 4th Clutch Housing to Case.....	91-ON	1	4L80E.NUT01
809B	Forward Clutch Drum w/ Ring Gear (Lip Seal Type Piston).....	91-96	1	4L80E.DRU02
809B	Forward Clutch Drum w/ Ring Gear (MouldedPiston Type).....	97-ON	1	4L80E.DRU06
810B	Clutch Hub, Forward Clutch.....	91-ON	1	TH400.DRU04
810B	Clutch Hub, Forward Clutch (Heavy Duty) (Sonnax® <a href="#">Click here for Info</a> ) ..	91-ON	1	TH400.DRU06
810B	Extreme Duty Forward Clutch Hub Kit (Sonnax® <a href="#">Click here for Info</a> ) ..	91-ON	1	TH400.DRU08
811B	Clutch Hub, Direct Clutch.....	91-ON	1	TH400.DRU05
812B	Direct Clutch Drum (w/o Sprag).....	91-ON	1	4L80E.DRU03
Kit	Sleeve Kit, Direct Drum, Use with <a href="#">4L80E.TOOL06</a> (Sonnax® <a href="#">Click here for Info</a> ) ...	91-ON	1	4L80E.SL03
813B	Sprag, Intermediate (16 Elements).....	91-ON	1	4L80E.OWC04
813B	Sprag, Intermediate (34 Elements) Heavy Duty.....	91-ON	1	TH400.OWC03

# 4L80E (MT-1), 4L85E (MN8)

## 4 SPEED RWD (Electronic Control)



AUTOMATIC CHOICE



THE AUTOMATIC TRANSMISSION PARTS WAREHOUSE

ILL NO.	DESCRIPTION	YEARS	QTY	PART NO
<b>HARD PARTS Cont...</b>				
814B	Piston, Direct Clutch (Alluminium).....	91-ON	1	<b>4L80E.PIS04</b>
817C	Center Support, (Uses 24mm Long Bolt).....	91-96	1	<b>4L80E.SUP01</b>
817C	Center Support, (w/ Lube Hole Passage).....	97-98	1	<b>4L80E.SUP02</b>
817C	Center Support.....	99-ON	1	<b>4L80E.SUP03</b>
818C	Bolt, Center Support to Case (24mm Long).....	91-ON	1	<b>4L80E.NUT02</b>
819C	Shaft, Intermediate Sun Gear (28 Splines on Sun Gear).....	91-96	1	<b>4L80E.SUN01</b>
820C	Sun Gear, Angled Teeth (28 Spline Inside).....	91-96	1	<b>TH400.SUN04</b>
820C	Sun Gear, Angled Teeth (28 Splines Inside).....	97-ON	1	<b>4L80ESUN02</b>
820C	Sun Gear, Straight Teeth (32 Spline Inside).....	91-96	1	<b>TH400.SUN03</b>
821C	Sprag, Low Clutch Roller.....	91-E95	1	<b>TH400.OWC01</b>
821C	Roller Clutch, Low (Rear) (has 8 vertical tabs).....	L95-ON	1	<b>4L80E.OWC02</b>
822C	Front Planetary (Angled Teeth).....	91-98	1	<b>TH400.PL01</b>
822C	Front Planetary, Angled Teeth (No Tab Roller Sprag).....	91-95	1	<b>TH400.PL04</b>
822C	Front Planetary (Straight Teeth).....	91-98	1	<b>TH400.PL03</b>
822C	Front Planetary.....	99-On	1	<b>4L80E.PL06</b>
824C	Reluctor Wheel, Speed Sensor (Presses on Rear Planet).....	91-ON	1	<b>4L80E.SEN01</b>
825C	Rear (Angled Teeth) w/ Electric Pick-Up (No Reluctor Ring).....	91-98	1	<b>4L80E.PL02</b>
825C	Rear Planetary, 4 Gear Angled Teeth (With Reluctor Ring).....	91-98	1	<b>TH400.PL05</b>
825C	Rear Planetary, 5 Pinion Angled Teeth (With Reluctor Ring).....	99-ON	1	<b>4L80E.PL08</b>
826C	Ring Gear, Rear Planet (Straight Teeth).....	91-96	1	<b>4L80E.PL03</b>
826D	Ring Gear, Rear Planet (Angled Teeth) w/ 4 Notches.....	97-ON	1	<b>4L80E.PL04</b>
NI	Front Unit Endplay Shim x 10 (Sonnax® <a href="#">Click here for info</a> )....	91-ON	1	<b>4L80E.SHI01</b>
828D	Extension Housing (Used) (6.625"/168.27mm).....	91-ON	1	<b>4L80E.CAS01</b>
829D	Oil Pan, Aluminium.....	91-ON	1	<b>4L80E.PAN01</b>
830D	Front Servo, Piston, Sleeve Spring & Seal Kit (Sonnax).....	91-ON	1	<b>4L80E.SER01</b>
831D	Piston, Front Servo.....	91-ON	1	<b>TH400.PIS02</b>
833D	Rear Servo Assembly (With Raised Hump on Piston)..	91-ON	1	<b>TH400.PIS04</b>
834D	Pin, Rear Servo. (86.74mm Long).....	64-98	AR	<b>TH400.SER01</b>
	(88.16mm Long).....	64-98	AR	<b>TH400.SER02</b>
835D	Piston, 3rd Accumulator.....	91-ON	1	<b>4L80E.ACC02</b>
836D	4th Accumulator Bore, Sleeve & Piston Kit (Sonnax).....	91-ON	1	<b>4L80E.ACC01</b>
837D	Manual Shaft, Short Version (Sonnax® <a href="#">Click here for info</a> )....	91-ON	1	<b>4L80E.VA18</b>
NI	Sleeve, Rear Stator Support (Sonnax Replacement).....	91-ON	1	<b>4L80E.SL02</b>
NI	Case Connector, Cooler.....	91-96	2	<b>4L80E.CON01</b>
NI	Cooler Connector, Snap In (Front).....	97-ON	1	<b>4L80E.CON02</b>
NI	Cooler Connector, Snap In (Rear).....	97-ON	1	<b>4L80E.CON03</b>
NI	Clip, Push on Cooler Connector	97-ON	2	<b>4L80E.CON04</b>

ILL NO.	DESCRIPTION	YEARS	QTY	PART NO
<b>SPECIAL ITEMS</b>				
NI	Case Cooler Line Conversion Kit (this kit allows a centre lube transmission assembly to be installed into a vehicle with early cooler lines, both case fittings at front).....		1	<b>4L80E.TU01</b>
Kit	Sonnax™ Sure Cure Kit.....	91-ON	1	<b>4L80E.SCK01</b>
<b>TOOLS &amp; MANUALS</b>				
NI	ATSG Rebuild Manual.....	91-ON		<b>4L80E.MAN01</b>
NI	GM Technicians Guide.....	91-ON		<b>4L80E.MAN02</b>
NI	ATSG Diagnostic Manual (4L80E/4L60E).....	91-ON		<b>4L60E.MAN04</b>
<a href="#">Click here to view special tools for this transmission</a>				