

440-T4 (4T60)

4 SPEED FWD

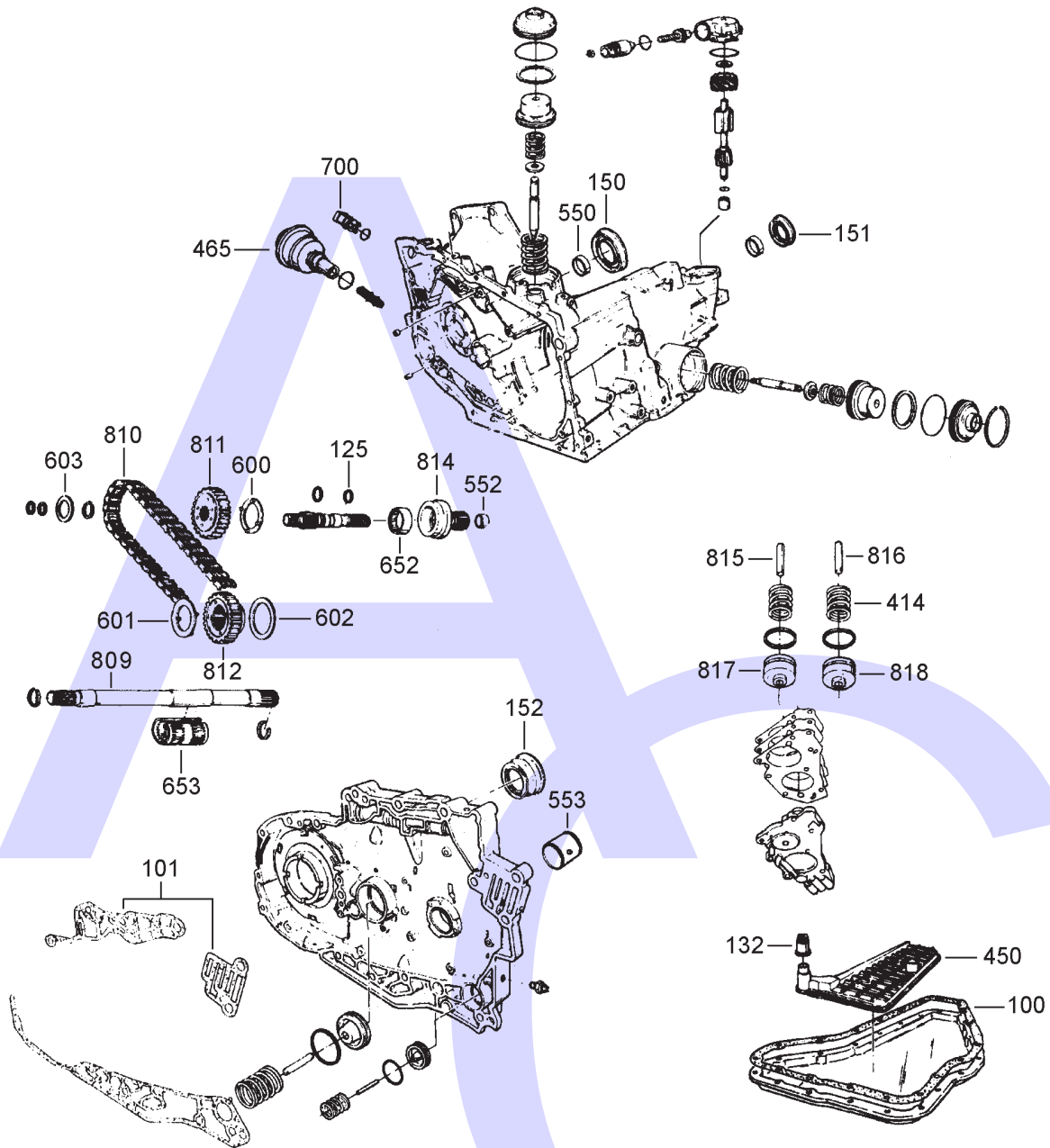


AUTOMATIC CHOICE

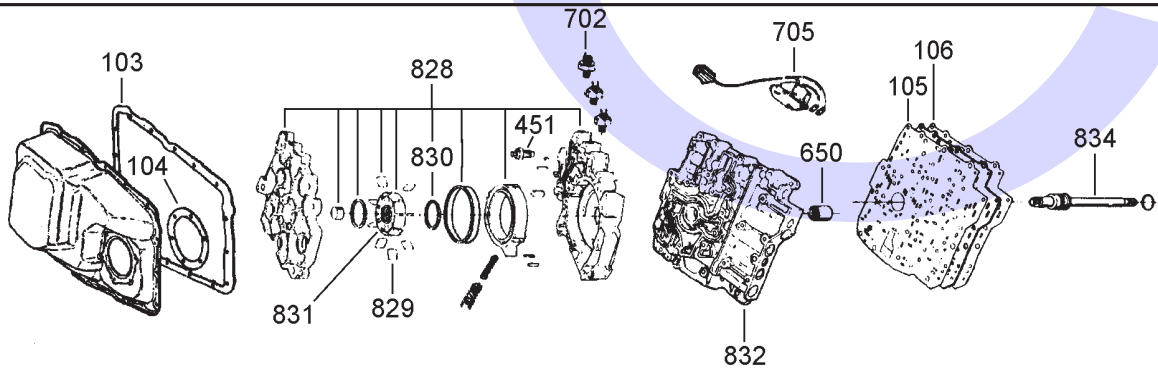


THE AUTOMATIC TRANSMISSION PARTS WAREHOUSE

A



B



440-T4 (4T60)

4 SPEED FWD

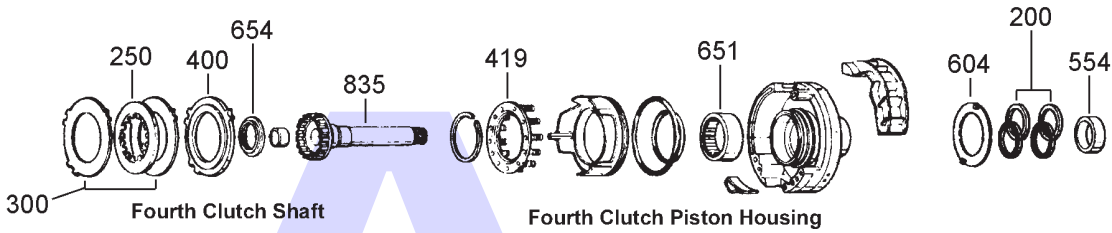


AUTOMATIC CHOICE

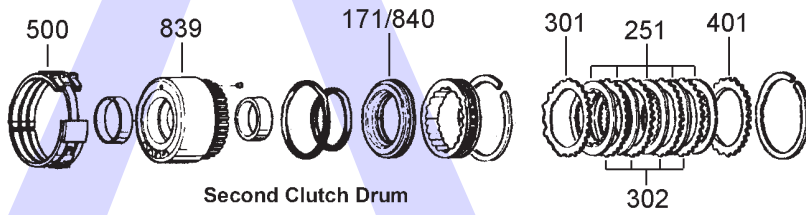


THE AUTOMATIC TRANSMISSION PARTS WAREHOUSE

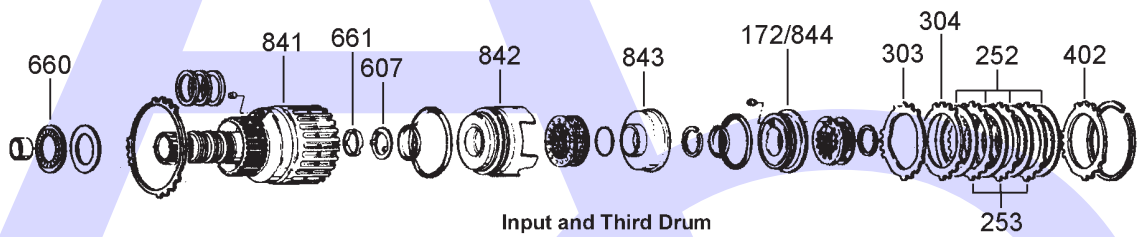
C



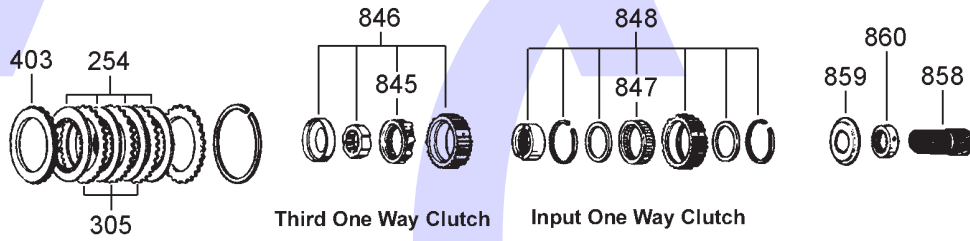
D



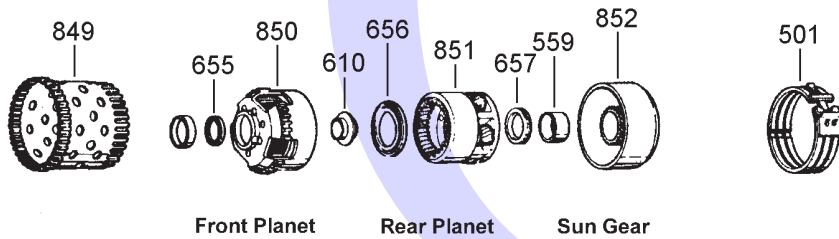
E



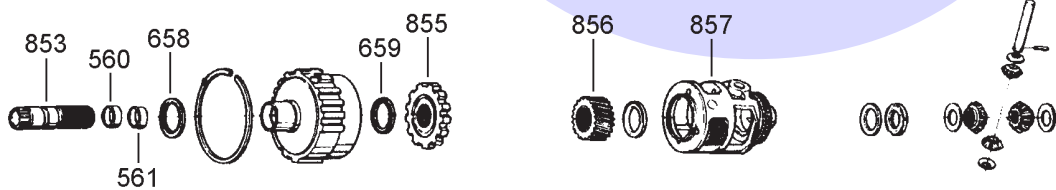
F



G



H



440-T4 (4T60)

4 SPEED FWD

ILL NO.	DESCRIPTION	YEARS	QTY	PART NO
KITS				
Kit	Banner Kit	89-93	1	TH440.BAK01
Kit	Overhaul (440-T4) (Transtec) ...	83-E86	1	TH440.OHK01
Kit	Overhaul (4T60) (Transtec)	L86-93	1	TH440.OHK02
Kit	Valve Body Gasket (F-7 Cadillac Allante).....	87-93	1	TH440.GK02
Kit	Friction & Steel Kit, 2nd Clutch 1.52mm (7 Fri & 6 Thin & 1 Thick Steel).	83-93	1	TH440.CK01
GASKETS				
100A	Bottom Pan (Cork)	83-93	1	TH440.GAS01
100A	Bottom Pan (Fibre).....	83-93	1	TH440.GAS10
100A	Bottom Pan (Moulded Rubber) .	83-93	1	TH440.GAS12
101A	Channel Plate (Upper) (1 Piece Design)	L85-93	1	4T60E.GAS02
103B	Side Cover (Cork)	83-93	1	TH440.GAS02
103B	Side Cover (Fibre).....	83-93	1	TH440.GAS13
104B	Side Cover Inner (Cork)	83-93	1	TH440.GAS03
104B	Side Cover Inner (Fibre)	83-93	1	TH440.GAS11
105B	Valve Body to Separator Plate ..	L85-93	1	TH440.GAS05
106B	Valve Body Separator Plate to Channel Plate	L85-93	1	TH440.GAS06
RUBBER COMPONENTS				
125A	Turbine Shaft 'O' Ring (Green Coated)	83-92	1	TH125.OR01
132A	Filter Seal, (Multi Lip)	83-92	1	TH440.RUB01
METAL CLAD SEALS				
150A	Coverter	83-92	1	TH125.MCS01
151A	Axle, Right Hand	83-92	1	TH125.MCS02
152A	Axle, Left Hand	83-92	1	TH440.MCS01
NI	Manual Lever	83-92	1	4L30E.MCS04
MOULDED PISTONS				
171D	2nd Clutch, Moulded Rubber (130.175mm OD)	90-92	1	4T60E.PIS01
172E	3rd Clutch, Moulded Rubber (With Check Ball)	83-92	1	TH440.PIS01
SEALING RINGS				
Kit	Sealing Ring (With Vespel Rings)	83-92	1	TH440.SRK01
200C	2nd Hub Kit (2 Vespel Rings & 2 Rubber Expanders).....	87-92	1	TH440.SSR01
FRICION PLATES				
Kit	Friction Plate	83-88	1	TH440.FRK01
Kit	Friction Plate (Alto)	83-86	1	TH440.FRK53
Kit	Friction Plate (Alto)	87-88	1	TH440.FRK52
Kit	Friction Plate	89-92	1	TH440.FRK02
Kit	Friction Plate (Alto)	89-93	1	TH440.FRK51
250C	4th Clutch (1 Friction Type) (135mm OD x 2.30mm x 18T) ..	83-89	1	TH440.FRP09
250C	4th Clutch (2 Friction Type) (135mm OD x 1.80mm x 18T) ..	89-92	2	TH440.FRP07

ILL NO.	DESCRIPTION	YEARS	QTY	PART NO
FRICION PLATES Cont...				
251D	2nd Clutch (130mm OD x 1.80mm x 38T) ..	83-92	5-6	TH440.FRP02
252E	3rd Clutch (1 Sided Internal Spline) (112mm OD x 2.10mm x 32T)...	83-88	4	TH440.FRP03
252E	3rd Clutch (1 Sided Internal Spline) (112mm OD x 2.00mm x 32T)...	89-92	5	TH440.FRP05
253E	3rd Clutch (1 Sided External Spline) 85.70mm OD x 2.10mm x 12T)	83-88	4	TH440.FRP04
253E	3rd Clutch (1 Sided External Spline) 85.70mm OD x 2.00mm x 12T)	89-92	5	TH440.FRP06
254F	Input Clutch (118mm OD x 2.30mm x 32T)...	83-92	4	TH440.FRP01
STEEL PLATES				
Kit	Steel Plate	83-86	1	TH440.STK01
Kit	Steel Plate (Alto)	83-86	1	TH440.STK52
Kit	Steel Plate	87-90	1	TH440.STK02
Kit	Steel Plate (Alto)	87-90	1	TH440.STK51
Kit	Steel Plate	91-92	1	TH440.STK03
Kit	Steel Plate Combo (Alto)	83-92	1	TH440.STK53
300C	4th Clutch (88mm ID x 1.95mm x 5T)	83-92	1-2	TH440.STP06
300C	4th Clutch (88mm ID x 1.88mm x 5T)	90-92	2	TH440.STP06
300C	4th Clutch (Alto) (88mm ID x 1.88mm x 5T)	90-92	2	TH440.STP11
301D	2nd Clutch (Waved) (96.26mm ID x 1.10mm x 36T) .	83-92	1	TH440.STP05
302D	2nd Clutch (Kolene®) (96.26mm ID x 2.30mm x 36T) .	83-86	5	TH440.STP03
302D	2nd Clutch (Kolene®) (96.26mm ID x 1.95mm x 34T) .	87-92	6	TH440.STP04
303E	3rd Clutch (Waved) (85.60mm ID x 0.76mm x 12T) .	83-92	1	TH440.STP07
304E	3rd Clutch Apply (85.60mm ID x 2.30mm x 12T) .	85-92	1	TH440.STP01
305F	Input Clutch (89.33mm ID x 1.93mm x 26T) .	83-E90	4	TH440.STP10
305F	Input Clutch (89.33mm ID x 1.27mm x 26T) .	90-92	4	TH440.STP09
PRESSURE PLATES				
400C	4th Clutch (Single Friction) (5.20mm).....	83-86	1	TH440.PP06
400C	4th Clutch (Two Friction) (4.06mm).....	87-92	1	TH440.PP07
401D	2nd Clutch flat (3.88mm).....	83-86	1	TH440.PP01
401D	2nd Clutch Beveled (With Internal Snap Ring).....	86-89	1	TH440.PP02
401D	2nd Clutch Beveled (9.90mm).....	90-92	1	TH440.PP03
402E	3rd Clutch (3.88mm).....	83-92	1	TH440.PP04
403F	Input Clutch (Apply) (4.83mm).....	83-92	1	TH440.PP05



AUTOMATIC CHOICE



THE AUTOMATIC TRANSMISSION PARTS WAREHOUSE

440-T4 (4T60)

4 SPEED FWD

ILL NO.	DESCRIPTION	YEARS	QTY	PART NO
SPRINGS & CIRCLIPS				
Kit	Snap Ring	83-92	1	TH440.CIR10
414A	Spring, 3-4 Accumulator (Orange or Blue)	83-92	1	TH440.SPR01
419C	Spring Assy, Return 4th Clutch (86.20mm I.D)	83-92	1	TH440.SPR03
NI	Spring Anti Shudder	83-92	1	TH440.SPR02
FILTERS				
450A	Filter, Oil Pick Up	83-92	1	TH440.FIL01
451B	Oil Pump Pressure Screen	83-92	1	TH440.FIL02
NI	Screen, TCC Solenoid (Early In Valve Body Plate)	83-E85	1	TH440.FIL03
NI	Screen, TCC Solenoid (Late 2nd Design)	L85-92	1	TH440.FIL04
NI	Screen 3rd Clutch Exhaust (In Valve Body)	83-92	1	TH440.FIL05
NI	Screen, Governor (Inside Accumulator Cover)	89-92	1	TH440.FIL06
MODULATORS				
Kit	Modulator Kit (With Large Can Modulator, Valves & Gaskets) ...	83-92	1	TH440.MOD02
465A	Red Stipe (Dual Line) (GM Universal)	83-92	1	TH440.MOD01
BANDS				
500D	Reverse Band (Front)	83-92	1	TH440.BAN02
501G	1-2 Band (Rear)	83-92	1	TH440.BAN01
BUSHINGS				
Kit	Bushing Kit	83-92	1	TH440.BK01
550A	Converter Hub	83-92	1	TH125.BUS02
552A	Stator Support (Front)	83-92	1	TH700.BUS11
553A	Sleeve, Channel Plate	83-92	1	4T60E.SL01
554C	Bush, Driven Sprocket Support	83-92	1	TH440.BUS08
560H	Bush, Final Drive Internal Gear (Front)	83-92	1	TH440.BUS09
561H	Bush, Final Drive Internal Gear (Rear)	83-92	1	TH440.BUS09
THRUST WASHERS & BEARINGS				
Kit	Thrust Washer (6 Washers No Selectives)	83-92	1	TH440.TK01
Kit	Repair, Final Drive Planet (16 Steel Washers)	83-92	1	TH440.TK02
Kit	Bearing Kit	83-92	1	TH440.TK03
600A	Thrust Washer, Drive Sprocket to Support	83-92	1	TH125.THW02
601A	Thrust Washer (Plastic) (4th Clutch hub to Driven Sprocket)	83-92	1	TH440.THW04
602A	Thrust Washer, Driven Sprocket to Support (4 Legs)	83-92	1	TH440.THW07
603A	Thrust Washer, Drive Sprocket to Channel Plate	83-92	1	TH440.THW06

ILL NO.	DESCRIPTION	YEARS	QTY	PART NO
THRUST WASHERS & BEARINGS Cont...				
604C	Thrust Washer, Support to 2nd Clutch Drum	83-92	1	TH440.THW08
607E	Thrust Washer, Input Drum (Rear 4 Tang)	83-92	1	TH440.THW05
610G	Oil Dam, Front Planet (Plastic)	83-92	1	TH440.THW01
650B	Bearing, Pump Shaft	83-92	1	TH440.BE01
651C	Bearing, Driven Sprocket Sup... ..	83-92	1	TH440.BE02
652A	Bearing, Converter Reactor (Presses Inside)	83-92	1	TH125.THW15
653A	Bearing, Output Shaft (Split Double Roller 44.45mm) ..	83-90	1	TH440.THW02
653A	Bearing, Output Shaft (Split Single Roller 19.05mm) ...	91-92	1	TH440.THW03
654C	Bearing, 4th Clutch Hub to Channel Plate	83-92	1	TH440.THW09
655G	Bearing, Front Planet to Sun Gear	83-92	1	4L80E.BE01
656G	Bearing, Front Planet to Rear Planet	83-92	1	TH440.THW10
657G	Bearing, Rear Planet to Sun Gear Drum	83-92	1	TH440.THW11
658H	Bearing, Reaction Drum to Internal Ring Gear	83-92	1	TH440.THW12
659H	Bearing, Park Gear to Ring Gear	83-92	1	TH440.THW13
660E	Bearing, 2nd Clutch Drum to Input Drum	83-92	1	TH440.THW14
Kit	Shim Input Drum to Bearing (Click for Info) (Sonnax®, 0.254mm x 10)	91-99	AR	TH440.TWK01
Kit	Shim Input Drum to Bearing (Click for Info) (Sonnax®, 0.508mm x 10)	91-99	AR	TH440.TWK02
661E	Bearing, Input Drum (Rear)	83-92	1	TH440.THW15
NI	Bearing Axle Stabiliser, R.Hand (Bearing & Seal Teckpak)	83-92	1	4T65E.BE01
NI	Bearing Axle Stabiliser, L.Hand (Bearing & Seal Teckpak)	83-92	1	TH440.BE03
ELECTRICAL COMPONENTS				
700A	Case Connector (4 Pin Square)	83-92	1	TH400.ELE03
700A	Case Connector (Universal) (Replaces 2, 3 & 4 Pin Square) ..	83-92	1	TH400.ELE04
702B	Switch, 4th Clutch Pressure (1 Prong, Normaly Closed)	83-92	1	TH440.ELE01
702B	Switch, 4th Clutch Pressure (Diesel) (1 Prong, Normaly Closed)	1985	1	TH440.ELE02
705B	TCC Solenoid (OEM)	83-92	1	TH440.SOL01
VALVE BODY PARTS				
Kit	Shift Kit	83-92	1	TH440.SK01
Kit	Modulated Line Boost Valve, (Low Ratio) (Sonnax)	83-92	1	4T60E.VA06
Kit	Modulated Line Boost Valve, (High Ratio) (Sonnax)	83-92	1	4T60E.VA09
Kit	Modulated Line Boost Valve, (1 Each, Low & High Ratio) (Sonnax)	83-92	1	TH440.VA02
Kit	Reverse Boost Valve, (Low Ratio) (Sonnax)	83-92	1	4T60E.VA07
Kit	Reverse Boost Valve, (High Ratio) (Sonnax)	83-92	1	4T60E.VA08
Kit	Reverse Boost Valve, (1 Each, Low & High Ratio) (Sonnax)	83-92	1	TH440.VA03



AUTOMATIC CHOICE



THE AUTOMATIC TRANSMISSION PARTS WAREHOUSE

440-T4 (4T60)

4 SPEED FWD



AUTOMATIC CHOICE



THE AUTOMATIC TRANSMISSION PARTS WAREHOUSE

ILL NO.	DESCRIPTION	YEARS	QTY	PART NO
VALVE BODY PARTS Cont...				
Kit	TCC Apply Valve (Sonnax) (Standard Diameter)	83-92	1	TH440.VA04
Kit	TCC Apply Valve (Sonnax) (Oversize) Requires 4T60E.TOOL06	83-92	1	4T60E.VA03
Kit	TCC Apply Valve (Sonnax) (Oversize) Requires 4T60E.TOOL06	83-92	1	4T60E.VA05
Kit	Tool Kit for 4T60E.VA03 & 4T60E.VA05 (Sonnax™).....	83-92	1	4T60E.TOOL06
Kit	1-2 & Reverse Servo Boost Valve (Sonnax® Click here for info) (Requires Tool 4T60E.VA15)	83-92	1	TH440.VA10
Kit	Tool Kit For TH440.VA10	83-92	1	4T60E.VA15
Kit	Oversize Pressure Regulator Valve (Requires 4T60E.VA17 Toolkit) (Sonnax® Click here for Info) ...	83-92	1	4T60E.VA16
Kit	Toolkit for 4T60E.VA16 (Sonnax®).....	83-92	1	4T60E.VA17
NI	Plunger, Throttle Valve (9.0678mm Dia)	83-92	1	TH440.VA06
NI	Plunger, Throttle Valve (10.0584mm Dia)	83-92	1	TH440.VA07
HARD PARTS				
809A	Shaft, Output (bearing Type) (Without Oil Dam)	84-E85	1	TH440.SH01
809A	Shaft, Output (bearing Type) (With Oil Dam 457.20mm Long)	L85-92	1	TH440.SH02
810A	Drive Chain (Exc Allante)	83-92	1	TH440.CH01
811A	Drive Sprocket, (33 Teeth 95.40mm OD)	83-92	1	TH440.GE01
811A	Drive Sprocket, (37 Teeth 107.50mm OD)	83-92	1	TH440.GE03
812A	Gear, Driven Sprocket (35Teeth).....	83-92	1	4T65E.GE01
814A	Support, Drive Sprocket.....	83-92	1	TH125.GE02
815A	2-3 Accumulator Pin (x 4, Use With 4T60E.PIN01)....	83-92	AR	TH440.VA01
816A	1-2 Accumulator Pin (x 4, Use With 4T60E.PIN01)....	83-92	AR	TH440.VA01
NI	Reamer & 10 Pins, For Repair of OE 1-2 & 2-3 Accumulator With Pin Diameter of 7.848mm).....	83-92	AR	4T60E.PIN01
817A	Piston, 2-3 Accumulator	83-92	1	TH440.ACC01
818A	Piston, 1-2 Accumulator	83-92	1	TH440.ACC01
828B	Pump Assy, (2 Pressure Switches, No 3-2 Tube Hole, No Thermistor Switch)	L85-86	1	TH440.PUM01
828B	Pump Assy, (2 Pressure Switches, No 3-2 Tube Hole, 1 Thermistor Switch)	L85-86	1	TH440.PUM02
828B	Pump Assy, (3 Pressure Switches, With 3-2 Tube Hole).....	88-92	1	TH440.PUM05
829B	Pump Vane, (17.970mm)	83-92	9-11	TH440.PUM03
829B	Pump Vane Set, (17.958mm)....	83-92	1	TH440.PUM13
830B	Ring, Pump Vane	83-92	2	TH440.PUM06
831B	Rotor, Pump (17.968mm).....	83-92	1	TH440.PUM07
Kit	Pump Rotor (17.968mm)	83-92	1	TH440.PUM11
832B	Valve Body, (Large & Small Check Balls).....	L85-92	1	TH440.VB02
834B	Shaft, Oil Pump Drive (247.65mm Long).....	83-92	1	4T60E.SH01
835C	Hub & Shaft, 4th Clutch	83-92	1	TH440.DRU01
839D	Drum, 2nd Clutch (5 Plate) (6 Lube Holes in Bore).....	L85-86	1	TH440.DRU02

ILL NO.	DESCRIPTION	YEARS	QTY	PART NO
HARD PARTS Cont...				
840D	Piston, 2nd Clutch.....	83-88	1	TH440.PIS04
841E	Drum, Input (Washer Type).....	83-87	1	TH440.DRU06
842E	Piston, Input Clutch (34.00mm Tall)	83-92	1	TH440.PIS03
843E	Housing, 3rd Clutch (Takes Moulded Piston) (No Check Ball).....	89-92	1	TH440.DRU03
844E	Piston, 3rd Clutch (Aluminium)	83-88	1	TH440.PIS02
845F	One Way Clutch, 3rd.....	83-92	1	TH440.OWC04
846F	One Way Clutch Assy, 3rd Roller (With 28.60mm Clutch Hub).....	L86-92	1	TH440.OWC03
NI	Spring Kit, 3rd One Way Clutch	L86-92	1	TH440.OWC06
847F	One Way Clutch, Low Input (7.75mm Wide)	83-E86	1	TH440.OWC07
847F	One Way Clutch, Low Input (10.16mm Wide)	L86-92	1	TH440.OWC01
848F	One Way Clutch Assy, Low Input (Late Wide) Complete.....	L86-92	1	TH440.OWC02
849G	Shell, Reverse Reaction	88-92	1	TH440.POT01
850G	Front Planetary (Input) 2nd Design (6.73mm Wide Bush)	86-92	1	TH440.PL01
851G	Rear Planetary (Inner Spline Beveled Both Ends)	83-92	1	TH440.PL02
851G	Rear Planetary (Inner Spline Beveled at One End)	83-92	1	TH440.PL03
852G	Drum, Reaction Sun Gear	83-92	1	TH440.DRU04
853H	Shaft, Final Drive Sun Gear (With Oil Dam)	L85-92	1	TH440.SUN01
855H	Parking Gear.....	83-92	1	TH440.GE02
857H	Differential Assy, 30T Sun Gear, 20T Pinion (17.90mm OD Cross pin) 3.33 Ratio.....	83-92	1	TH125.DIFF02
857H	Differential Assy, 34T Sun Gear, 18T Pinion (17.90mm OD Cross pin) 3.06 Ratio.....	83-92	1	TH125.DIFF01
858F	Sun Gear, Input.....	83-92	1	TH440.SUN02
859F	Retainer, Input Sprag (2nd Design 1.90mm Thick).....	87-92	1	TH440.RET01
860F	Spacer, Sun Gear (8.890mm).....	85-92	1	TH440.SPA02
860F	Spacer, Sun Gear (12.623mm).....	83-84	1	TH440.SPA01
SPECIAL ITEMS				
NI	Capsule, With Spring & Check Ball (Fits Under Servo Tube).....	83-92	1	TH440.VA05
NI	Cooler Line Fitting (With Check Ball)	83-92	1	TH440.COL01
TOOLS & MANUALS				
NI	Reamer & 10 Pins, For Repair of OE 1-2 & 2-3 Accumulator With Pin Diameter of 7.848mm).....	83-92	AR	4T60E.PIN01
NI	1-2 & 2-3 Accumulator Pin (x 4, Use With 4T60E.PIN01)....	83-92	AR	4T60E.PIN02
NI	ATSG Repair Manual	83-89	1	TH440.MAN01
NI	ATSG Update Manual.....	90-92	1	TH440.MAN02
NI	GM Technicians Guide.....	83-ON	1	TH440.MAN03
Click here to view special tools for this transmission				