

RENAULT 4141

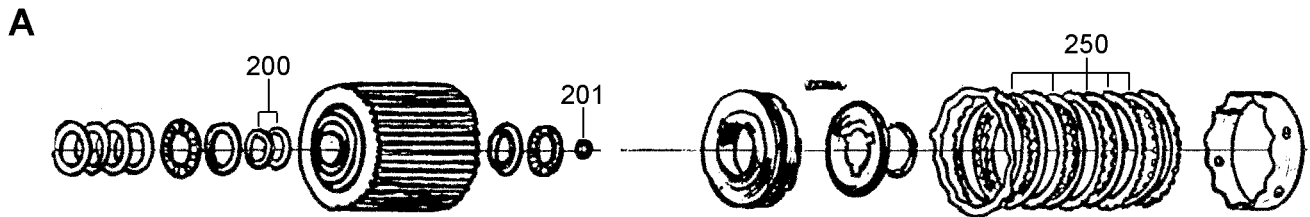
3 SPEED IN LINE FWD (Electronic Control)



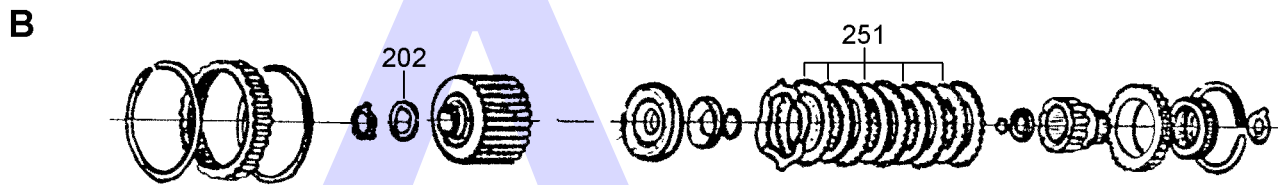
AUTOMATIC CHOICE



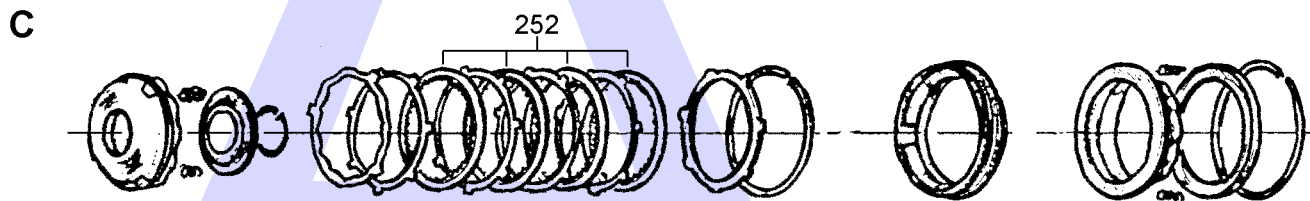
THE AUTOMATIC TRANSMISSION PARTS WAREHOUSE



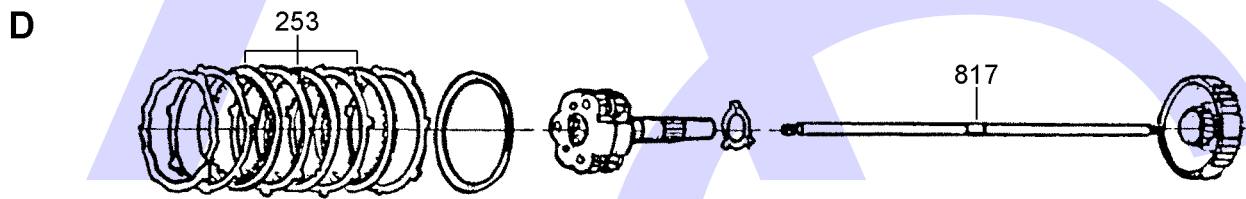
'E2' Clutch (2nd Clutch)



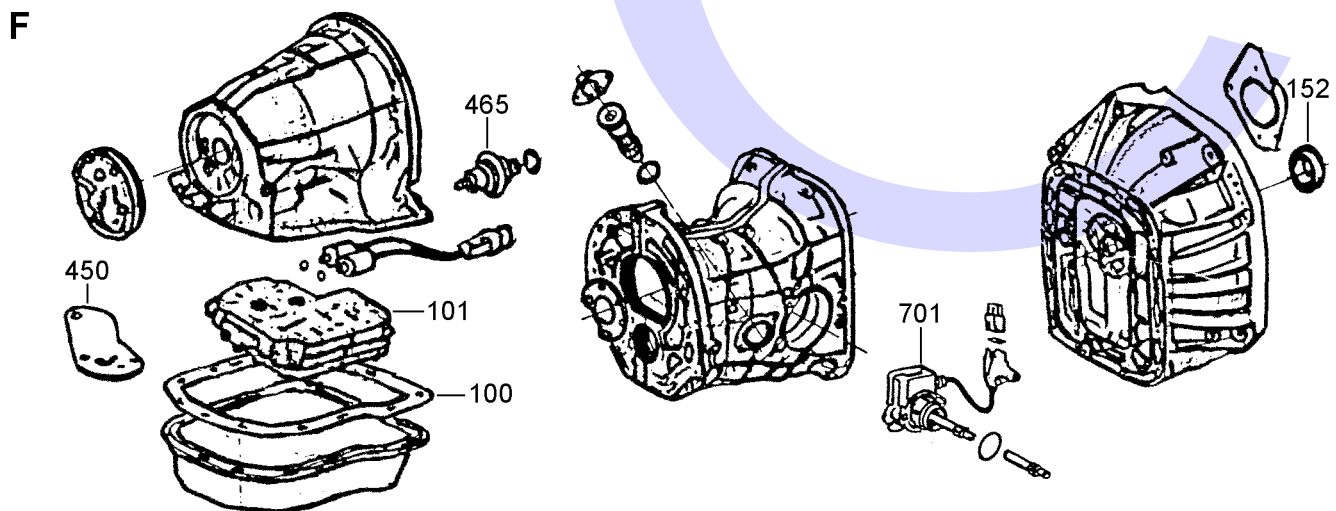
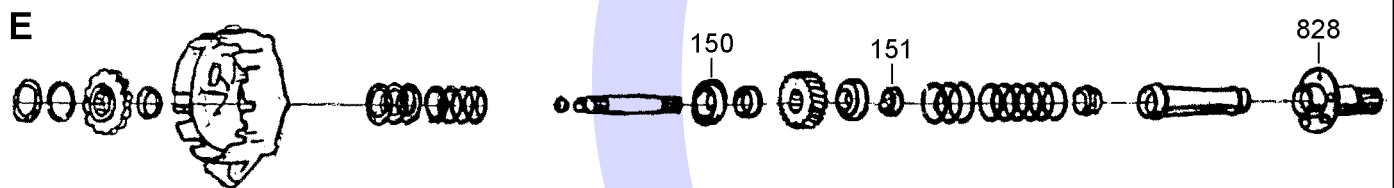
'E1' Clutch (3rd Clutch)



'F2' Brake (Low Brake)



'F1' Brake (Reverse Brake)



RENAULT 4141

3 SPEED IN LINE FWD (Electronic Control)



AUTOMATIC CHOICE



THE AUTOMATIC TRANSMISSION PARTS WAREHOUSE

ILL NO.	DESCRIPTION	YEARS	QTY	PART NO
KITS				
Kit	Overhaul Kit	81-ON	1	4141.OHK01
Kit	Gasket & Seal	81-ON	1	4141.GSK01
Kit	Gasket + Seal Kit (OEM)	81-ON	1	4141.GSK01
GASKETS				
Kit	Gasket	81-ON	1	4141.GK01
100F	Pan Gasket	81-ON	1	4141.GAS01
101F	Valve Body Gasket	81-ON	1	4141.GAS04
RUBBER COMPONENTS				
Kit	Rubber Kit	81-ON	1	4141.ORK01
METAL CLAD SEALS				
150E	Front Planetary Shaft (65mm x 45mm x 10mm)	81-ON	1	4141.MCS02
151E	Rear Planetary Shaft (42mm x 30mm x 7mm)	81-ON	1	4141.MCS03
152F	Converter Seal (70mm x 48mm x 10mm)	81-ON	1	4141.MCS01
NI	Differential Seal Metal Case (58mm x 36mm x 20mm)	81-ON	2	4141.MCS05
NI	Differential Seal Rubber Case (58mm x 42mm x 13mm)	81-ON	2	4141.MCS04
SEALING RINGS				
Kit	Sealing Ring Kit	81-ON	1	4141.SRK01
200A	Shaft Sealing Ring Spigot in Case Large	81-ON	2	4141.SSR02
201A	Shaft Sealing Ring Spigot in Case Small	81-ON	1	4141.SSR01
202B	Shaft Sealing Ring			
	'E1' Clutch Drum	81-ON	1	4141.SSR03
FRICTION PLATES				
Kit	Friction Plate (Alto)	81-ON	1	4141.FRK51
250A	'E2' (Intermediate/2nd Clutch) (132.6mm OD x 2.50mm x 30T)	81-ON	4	TH180.FRP02
251B	'E1' (High/3rd Clutch) (98.3mm OD x 2.50mm x 12T)	81-ON	4	TH180.FRP01
252C	'F2' (Low Brake) (162.6mm OD x 2.50mm x 36T)	81-ON	4	TH180.FRP03
253D	'F1' (Reverse Brake) (162.6mm OD x 2.50mm x 36T)	81-ON	3	TH180.FRP03
STEEL PLATES				
Kit	Steel Plate (Alto)	81-ON	1	4141.STK51
PRESSURE PLATES				

ILL NO.	DESCRIPTION	YEARS	QTY	PART NO
SPRINGS & CIRCLIPS				
FILTERS				
450F	Filter	81-ON	1	4141.FIL01
MODULATORS				
465F	Modulator (Steel)	81-ON	1	4141.MOD01
BUSHINGS				
THRUST WASHERS & BEARINGS				
ELECTRICAL COMPONENTS				
701F	Renault 25 Computer Unit	81-ON	1	4141.COMP01
VALVE BODY PARTS				
HARD PARTS				
817D	Ren 25 Pump Drive Shaft (690mm)	81-ON	1	4141.SH01
828E	Ren 25 Stator Support	81-ON	1	4141.SUP01
SPECIAL ITEMS				
TOOLS & MANUALS				