

BAXA, MAXA, MDJA (Accord 4Cyl 98-02), MDWA (Odyssey 2.3Ltr 98),
M6HA (Prelude 97-01), B6VA (2.3CL 98-99)

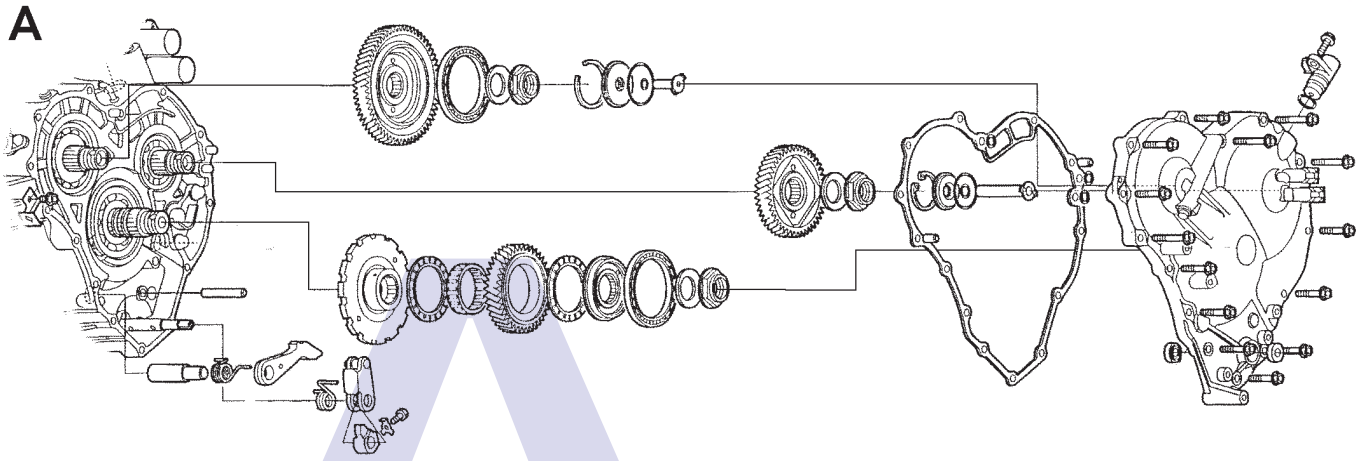
4 Speed 3 Shaft FWD (Electronic Control)



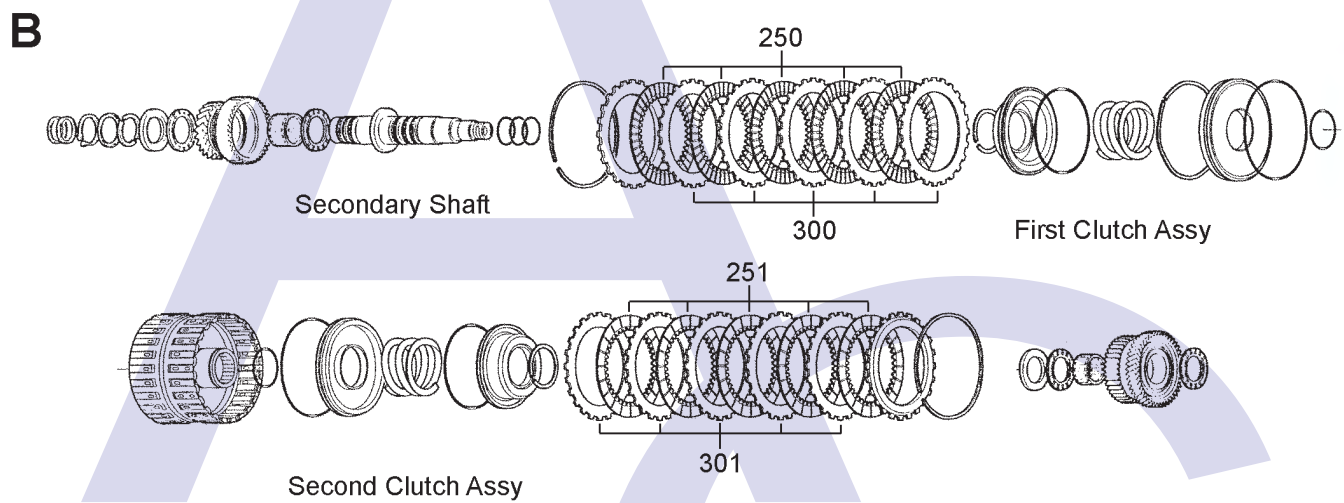
AUTOMATIC CHOICE



THE AUTOMATIC TRANSMISSION PARTS WAREHOUSE

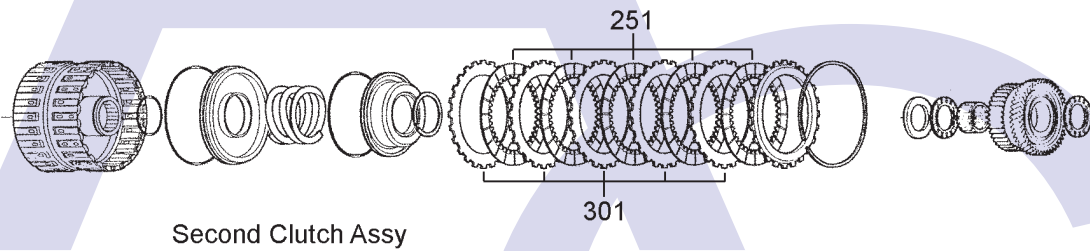


End Cover & Idler Gears

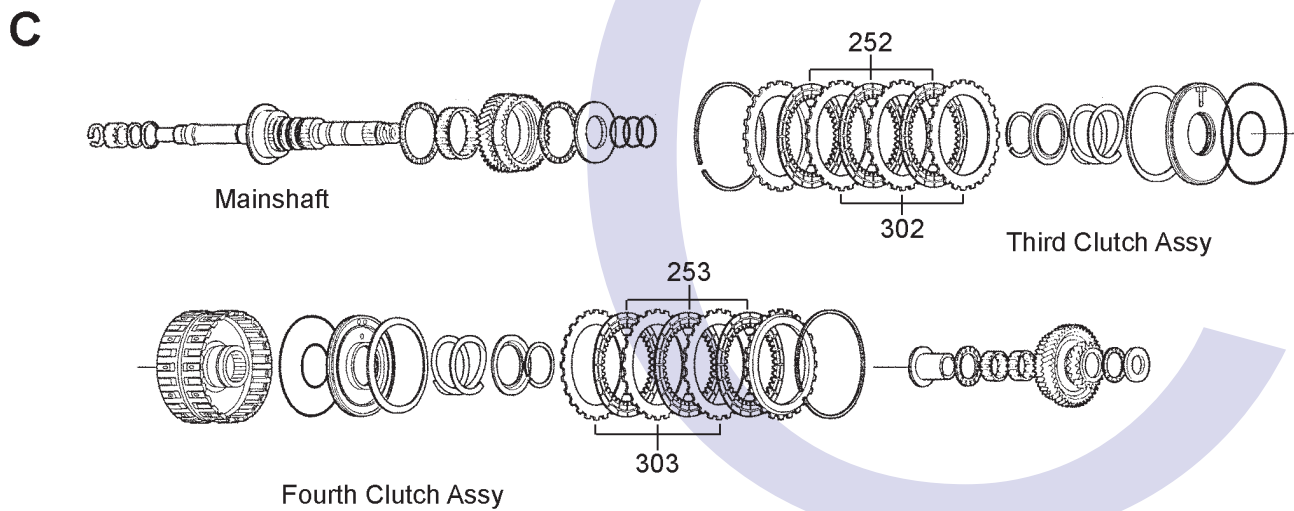


Secondary Shaft

First Clutch Assy

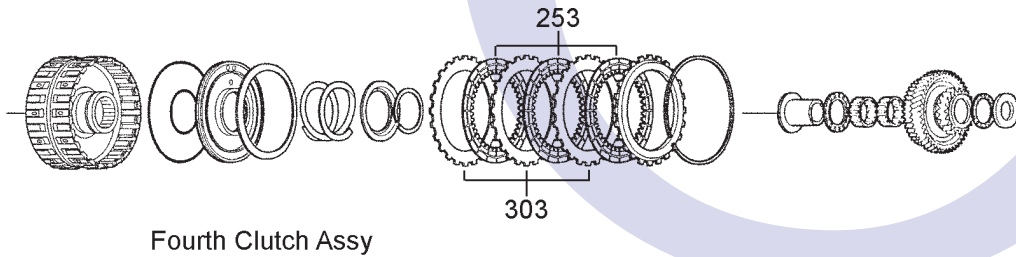


Second Clutch Assy

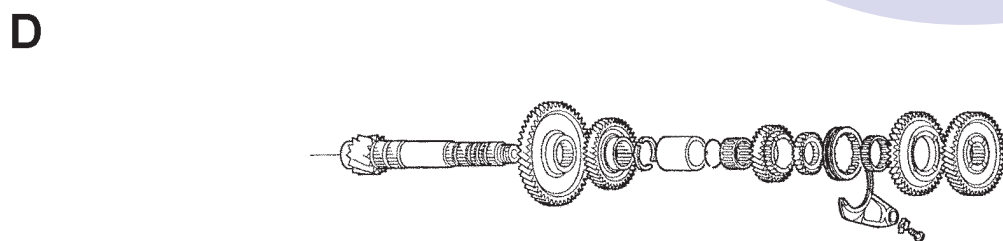


Mainshaft

Third Clutch Assy



Fourth Clutch Assy



Countershaft & Gears

BAXA, MAXA MDJA (Accord 4Cyl 98-02), MDWA (Odyssey 2.3Ltr 98),
M6HA (Prelude 97-01), B6VA (2.3CL 98-99)

4 Speed 3 Shaft FWD (Electronic Control)

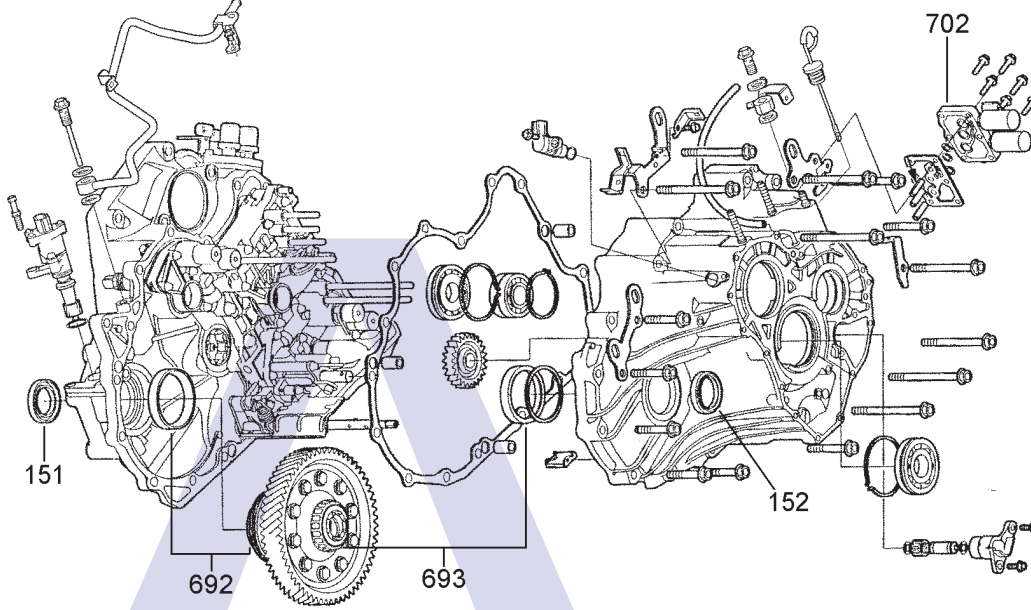


AUTOMATIC CHOICE

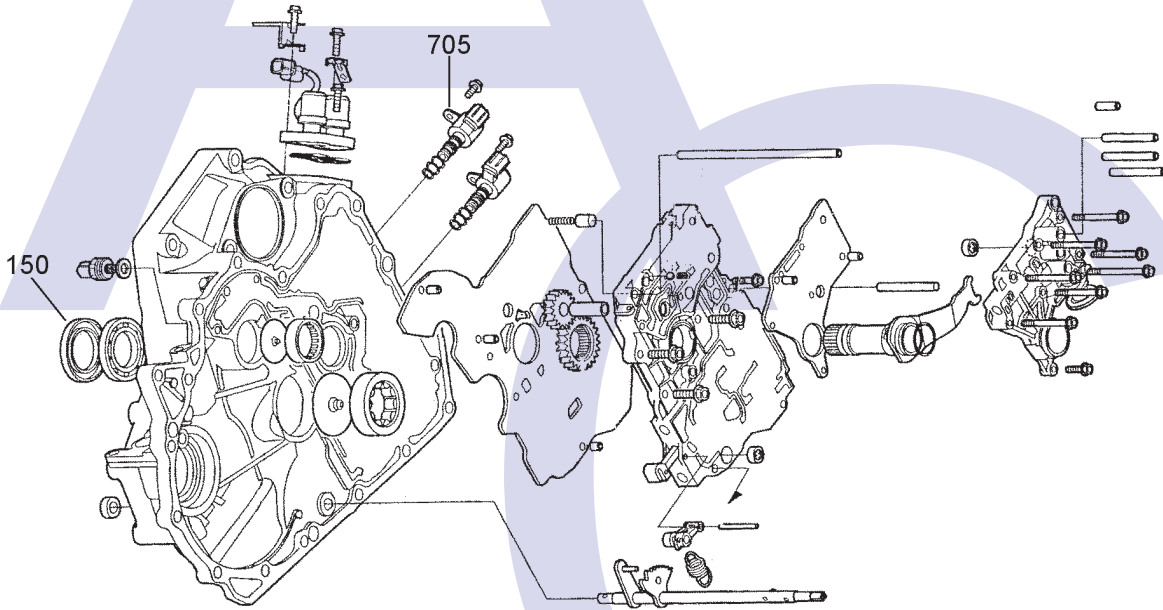


THE AUTOMATIC TRANSMISSION PARTS WAREHOUSE

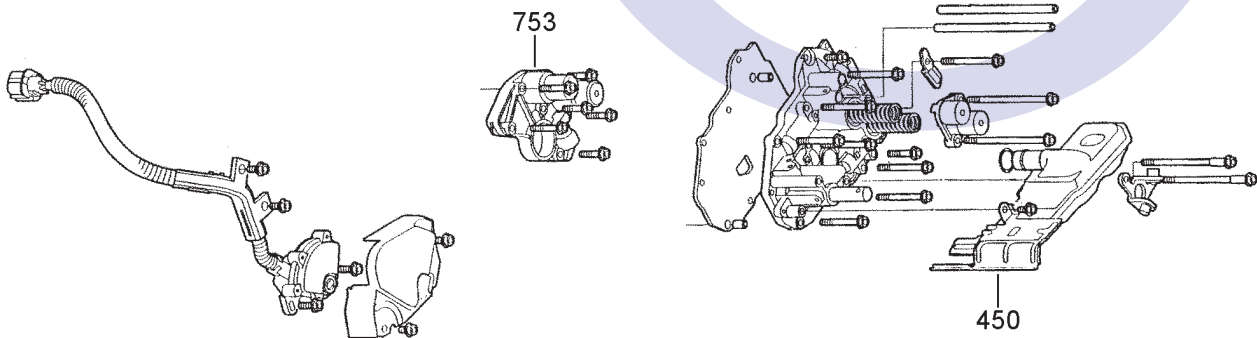
E



F



G



BAXA, MAXA MDJA (Accord 4Cyl 98-02), MDWA (Odyssey 2.3Ltr 98), M6HA (Prelude 97-01), B6VA (2.3CL 98-99)

4 Speed 3 Shaft FWD (Electronic Control)



AUTOMATIC CHOICE



THE AUTOMATIC TRANSMISSION PARTS WAREHOUSE

ILL NO.	DESCRIPTION	YEARS	QTY	PART NO
KITS				
Klt	Overhaul (Transtec)	97-02	1	HON4.OHK13
Klt	Overhaul (Precision)	97-02	1	HON4.OHK75
GASKETS				
RUBBER COMPONENTS				
METAL CLAD SEALS				
150F	Converter Seal	97-02	1	HON4.MCS02
151E	Axle Seal Left Hand (BAXA, MAXA, B6VA)	98-02	1	HON4.MCS04
152E	Axle Seal Right Hand	97-02	1	HON4.MCS08
SEALING RINGS				
FRICTION PLATES				
Kit	Friction Plate (Aftermarket)	97-02	1	HON4.FRK01
Kit	Friction Plate (Alto)	97-02	1	HON4.FRK54
250B	First Clutch (116mm OD x 1.90mm x 44T) ...	97-02	5-6	HON4.FRP22
251B	Second Clutch (116mm OD x 1.90mm x 44T) ...	97-02	4-5	HON4.FRP22
252C	Third Clutch (120mm OD x 1.90mm x 44T) ..	97-02	3	HON4.FRP03
252C	Third Clutch (Alto) (120mm OD x 1.90mm x 44T) ..	97-02	3	HON4.FRP54
253C	Fourth Clutch (120mm OD x 1.90mm x 44T) ..	97-02	3	HON4.FRP03
253C	Fourth Clutch (Alto) (120mm OD x 1.90mm x 44T) ..	97-02	3	HON4.FRP54
STEEL PLATES				
Klt	Steel Plate (M6HA, B6VA)	97-01	1	HON4.STK01
Klt	Steel Plate (Alto) (M6HA, B6VA)	97-01	1	HON4.STK55
Klt	Steel Plate (BAXA, MAXA, MDWA, MDJA)	98-99	1	HON4.STK02
Klt	Steel Plate (Alto) (BAXA, MAXA, MDWA, MDJA)	98-99	1	HON4.STK54
300B	First Clutch (91mm ID x 2.00mm x 24T)	97-02	5	HON4.STP12
301B	Second Clutch (B6VA, M6HA) (91mm ID x 1.60mm x 24T)	97-01	6	HON4.STP24
301B	Second Clutch (BAXA, MAXA, MDWA, MDJA) (91mm ID x 2.30mm x 24T)	98-02	5	HON4.STP11
301B	Second Clutch (Alto) (BAXA, MAXA, MDWA, MDJA) (91mm ID x 2.30mm x 24T)	98-02	5	HON4.STP27
302C	Third Clutch (93mm ID x 2.60mm x 24T)	97-02	3	HON4.STP04
303C	Fourth Clutch (93mm ID x 2.30mm x 24T)	97-02	3	HON4.STP05

ILL NO.	DESCRIPTION	YEARS	QTY	PART NO
PRESSURE PLATES				
SPRINGS & CIRCLIPS				
FILTERS				
450G	Pick Up Filter (B6VA)	98-99	1	HON4.FIL11
450G	Pick Up Filter (All Plastic) (BAXA, M6HA, MAXA, MDWA, MDJA)	97-02	1	HON4.FIL11
BUSHINGS				
Kit	Bushing Kit (B6VA, BAXA, MAXA, M6HA) ..	97-02	1	HON4.BK05
THRUST WASHERS & BEARINGS				
692E	Diff Side Bearing Assy (Left Hand) (40mm x 80mm x 18.75mm)	97-ON	1	HON4.BE26
693E	Diff Side Bearing Assy (Right Hand) (40mm x 76.20mm x 16mm)	97-ON	1	HON4.BE27
ELECTRICAL COMPONENTS				
702E	Clutch Pressure Control Solenoid Assembly 'A' & 'B'	98-04	1	HON4.SOL11
705F	Shift Control Solenoid Valve 'B' (Black Connector)	98	1	HON4.SOL12
VALVE BODY PARTS				
753G	1-2 Accumulator Body (M6HA)	97-01	1	HON4.ACC01
HARD PARTS				
SPECIAL ITEMS				
TOOLS & MANUALS				
NI	ATSG Repair Manual	97-02	1	HON4.MAN07
NI	Solenoid Adjustment tool (Sonnax@ Click for details)	96-ON		HON4.VA01