

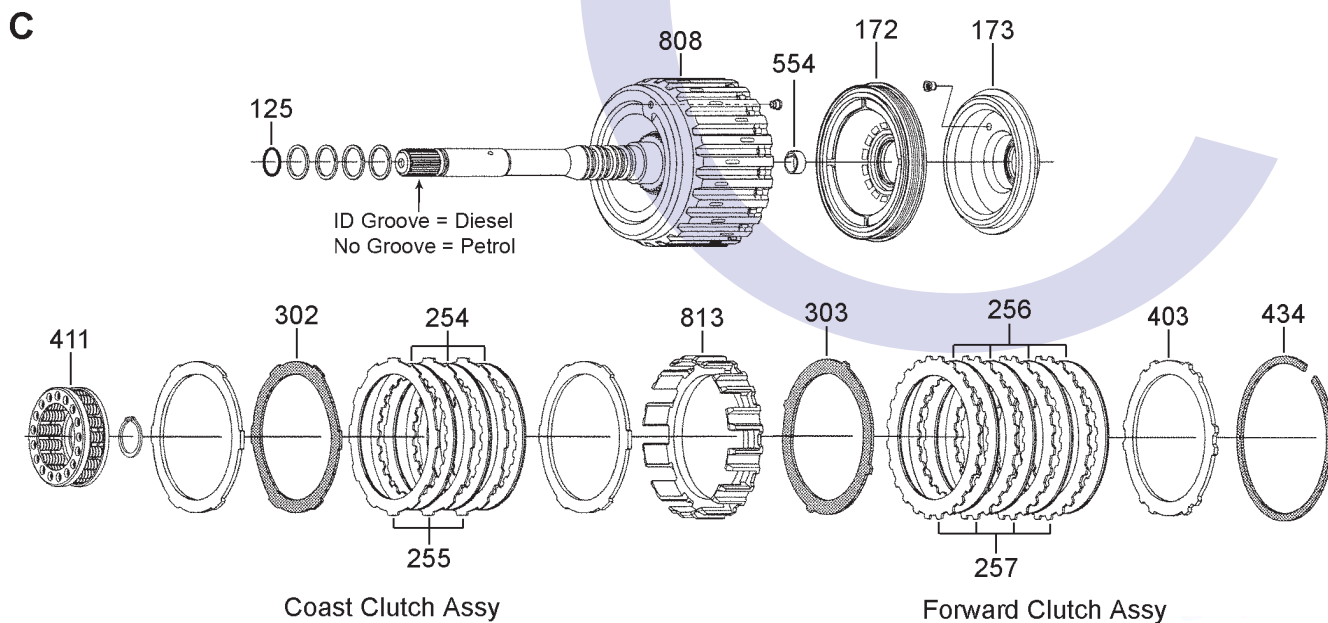
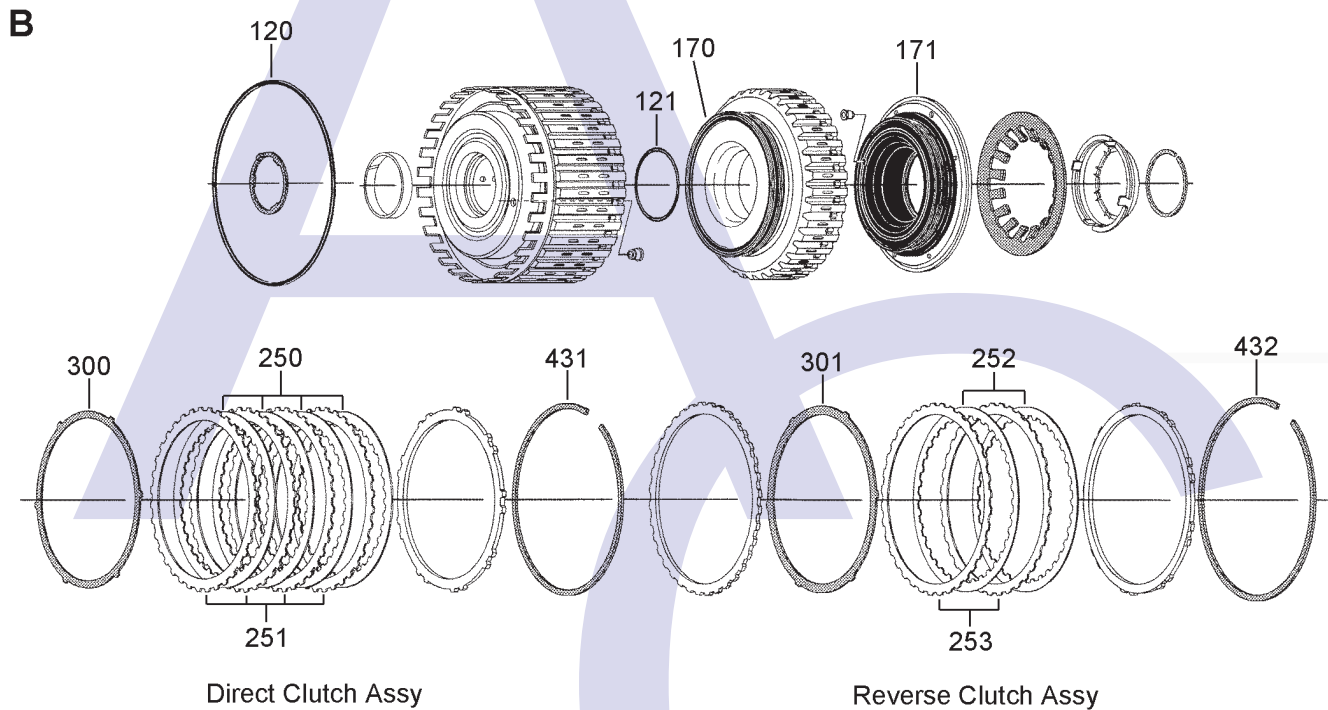
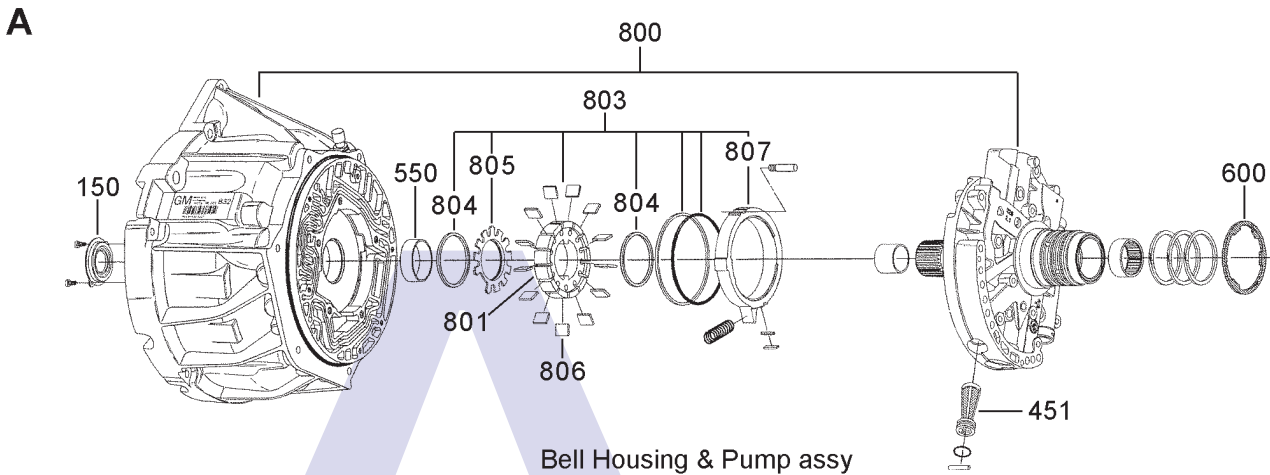
5L40E (A5S 360R) BMW 98 on & Cadillac 03 on 5 SPEED RWD (Full Electronic Control)



AUTOMATIC CHOICE



THE AUTOMATIC TRANSMISSION PARTS WAREHOUSE



5L40E (A5S 360R) BMW 98 on & Cadillac 03 on 5 SPEED RWD (Full Electronic Control)



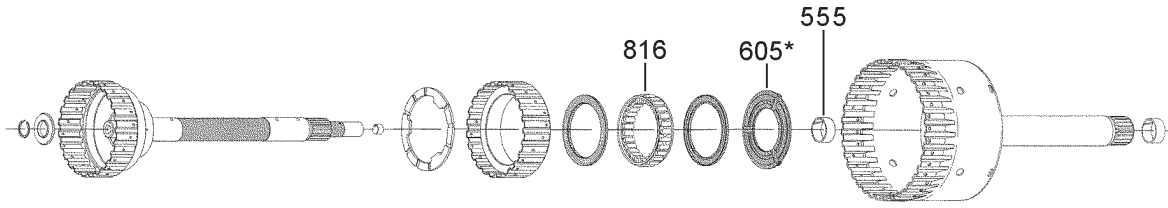
AUTOMATIC CHOICE



THE AUTOMATIC TRANSMISSION PARTS WAREHOUSE

D

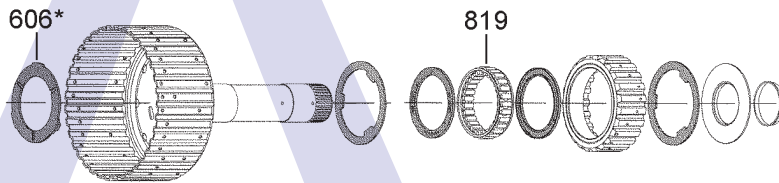
* Part of kit



Forward Sprag, Direct Drum & Shaft Assy

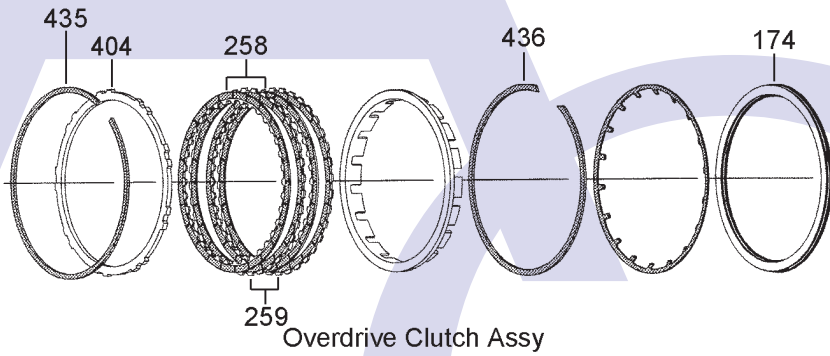
E

* Part of kit

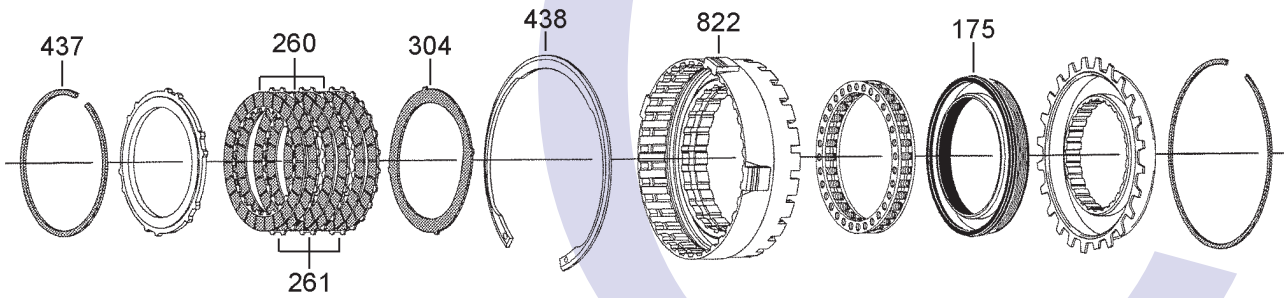


Overdrive Clutch Hub & Intermediate Sprag Assy

F

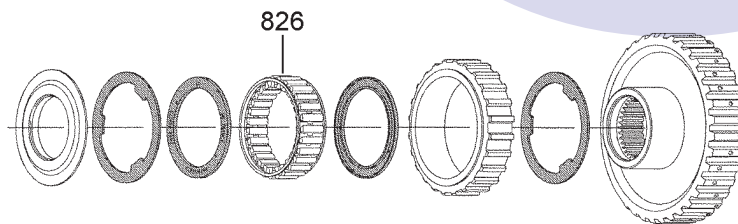


Overdrive Clutch Assy



Intermediate Clutch Assy

G



Low Sprag Assy

5L40E (A5S 360R) BMW 98 on & Cadillac 03 on 5 SPEED RWD (Full Electronic Control)

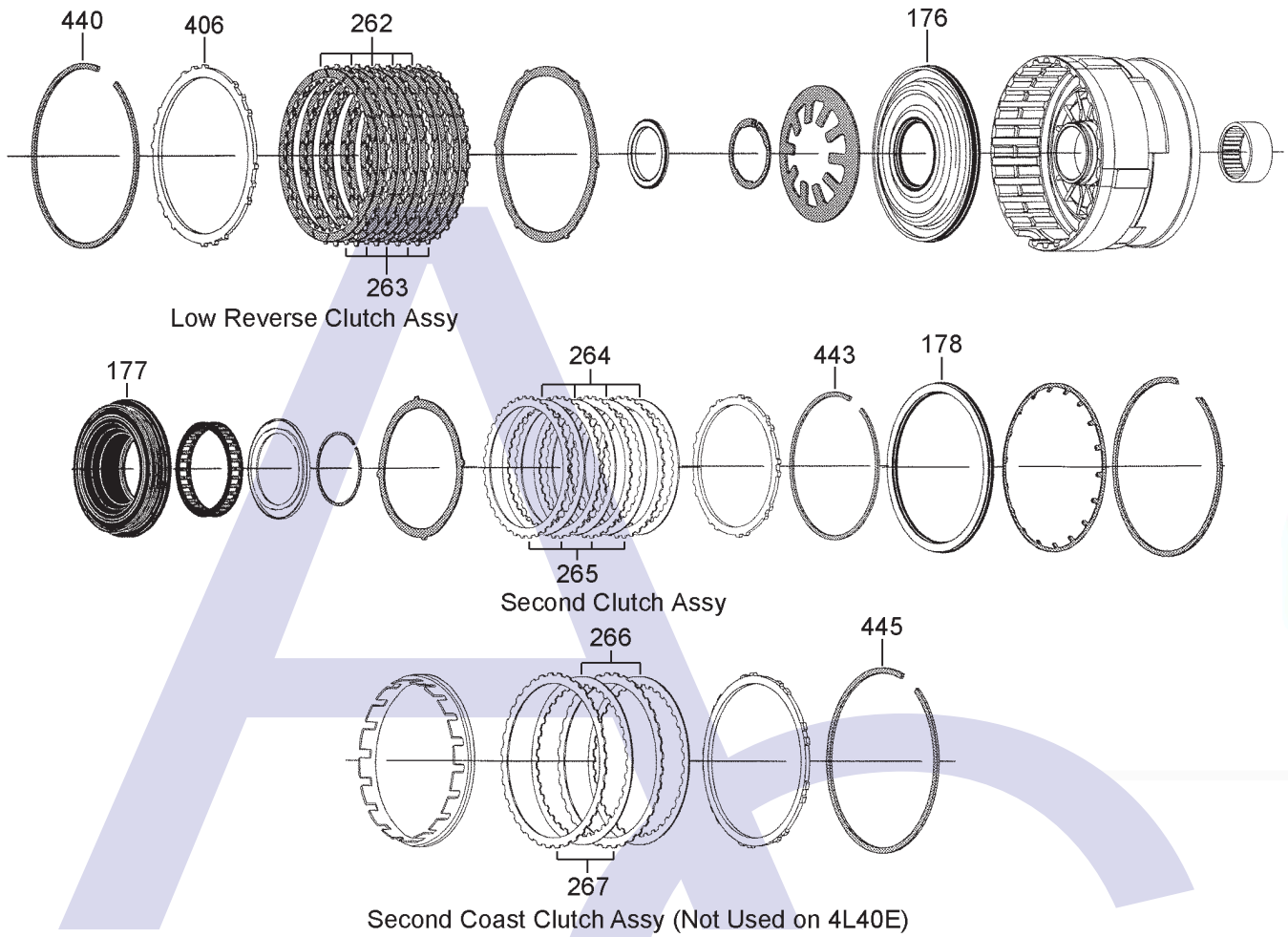


AUTOMATIC CHOICE

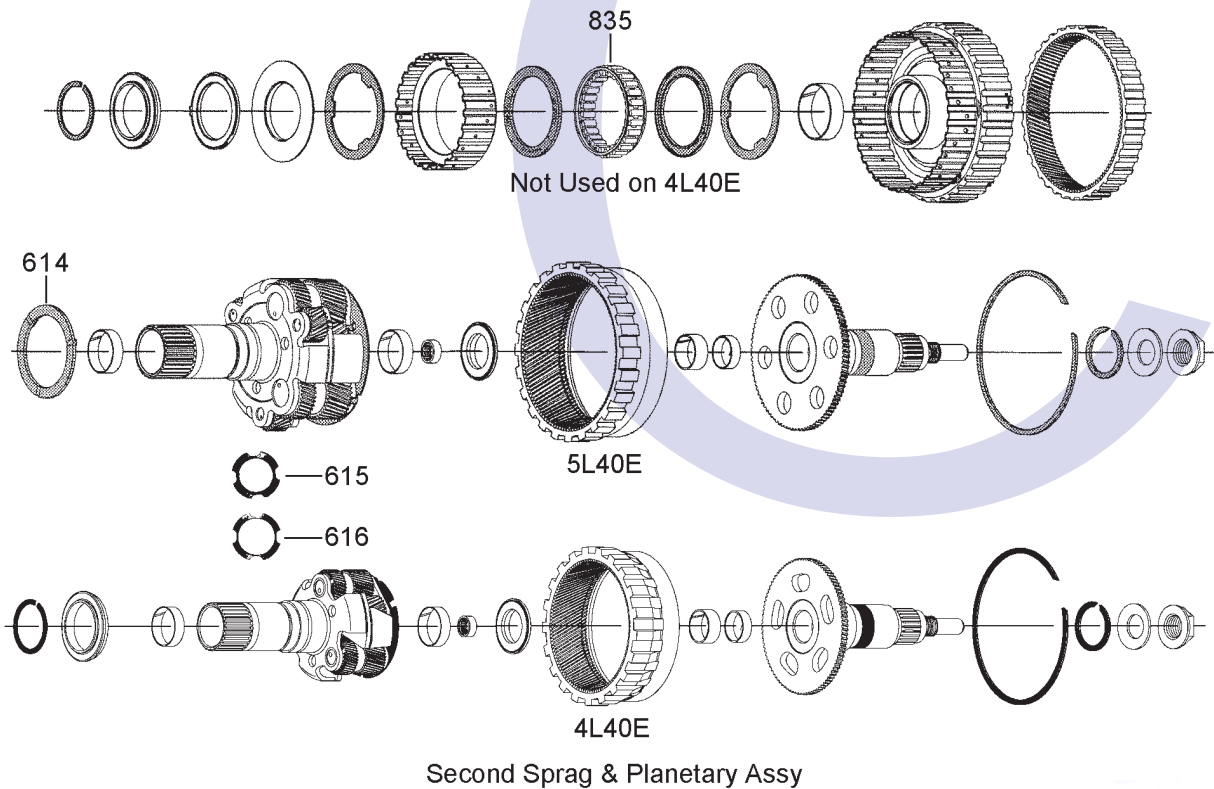


THE AUTOMATIC TRANSMISSION PARTS WAREHOUSE

H



J



5L40E (A5S 360R) BMW 98 on & Cadillac 03 on 5 SPEED RWD (Full Electronic Control)

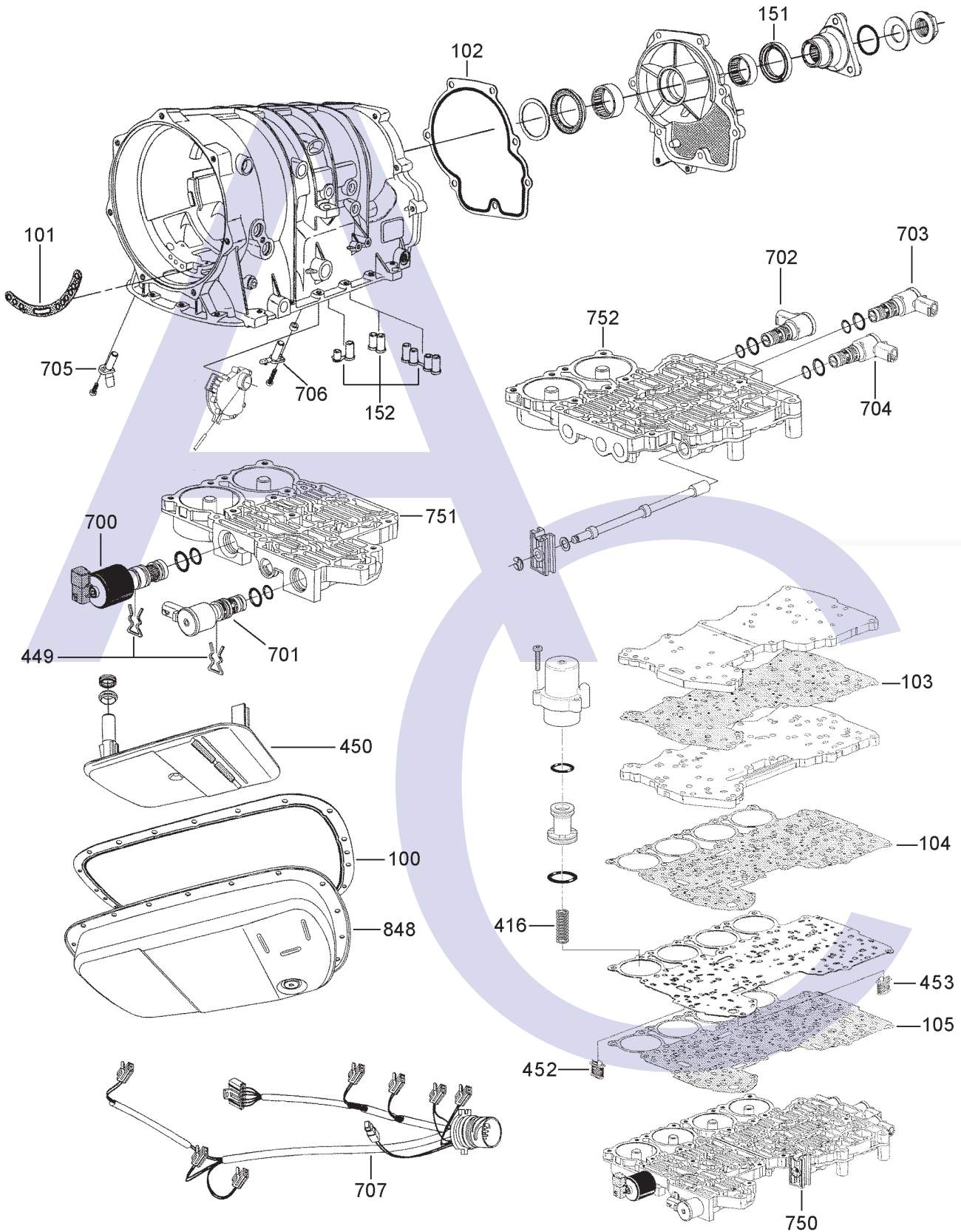


AUTOMATIC CHOICE



THE AUTOMATIC TRANSMISSION PARTS WAREHOUSE

K



Casing, Valve Body & Electrical Components

5L40E (A5S 360R) BMW 98 on & Cadillac 03 on 5 SPEED RWD (Full Electronic Control)



AUTOMATIC CHOICE



THE AUTOMATIC TRANSMISSION PARTS WAREHOUSE

ILL NO.	DESCRIPTION	YEARS	QTY	PART NO
KITS				
Kit	Overhaul Kit Without Pistons (Transtec).....	98-ON	1	5L40E.OHK01
Kit	Overhaul Kit Without Pistons (Precision).....	98-ON	1	5L40E.OHK51
Kit	Overhaul Kit With Pistons (Precision).....	98-ON	1	5L40E.OHK03
GASKETS				
100K	Oil Pan (Rubber).....	98-ON	1	5L40E.GAS01
101K	Pump (Bonded).....	98-ON	1	5L40E.GAS02
102K	Extension Housing (Bonded)	98-ON	1	5L40E.GAS03
103K	Valve Body Channel Plate (Precision).....	98-ON	1	5L40E.GAS06
103K	Valve Body Channel Plate (Transtec).....	98-ON	1	5L40E.GAS09
104K	Valve Body Upper (Precision) ...	98-ON	1	5L40E.GAS04
104K	Valve Body Upper (Transtec)....	98-ON	1	5L40E.GAS07
105K	Valve Body Lower (Precision) ...	98-ON	1	5L40E.GAS05
105K	Valve Body Lower (Transtec)....	98-ON	1	5L40E.GAS08
RUBBER COMPONENTS				
120B	Pump Outer 'O' Ring.....	98-ON	1	5L40E.OR01
121B	'O' Ring, Reverse Clutch Inner..	98-ON	1	5L40E.OR03
125C	Turbine Shaft 'O' Ring (Green Coated).....	98-ON	1	TH125.OR01
METAL CLAD SEALS				
150A	Pump.....	98-ON	1	5L40E.MCS01
151K	Extension Housing (62mm x 43mm x 7mm).....	98-ON	1	5L40E.MCS02
152K	Tube Kit, Valve Body to Case ...	98-ON	1	5L40E.TU01
NI	4WD Output Seal (BMW X5)	98-ON	1	4L30E.MCS02
NI	4WD Output Seal (R. Rover)	98-ON	1	TF8.MCS05
NI	Manual Lever	98-ON	1-2	4L30E.MCS04
MOULDED PISTONS				
Kit	Piston Kit (9 Pistons) (OEM).....	02-ON	1	5L40E.PISKIT01
Kit	Piston Kit (3 Pistons) (OEM) (Used until 2002 only, use in addition to 5L40E.PISKIT01 to cover early applications, which are used in GM & mainly BMW)	98-02	1	5L40E.PISKIT04
Kit	Piston Kit (RWD) (Precision) (11 Pistons, Contains Direct, Reverse, Coast, Overdrive (2WD), Intermediate, Low/Rev (Except Cadillac), Low/Rev (Cadillac), Second Coast (2WD), Second (BMW 2WD), Second(Cadillac) & Forward Clutch Pistons) (Does not contain, Second (AWD), Second Coast (AWD) & Overdrive (AWD) Clutch Pistons)	98-ON	1	5L40E.PISKIT52
Kit	Piston Kit (BMW AWD) (Precision) (7 Pistons, Contains Direct, Reverse, Coast, Intermediate, Low/Reverse (Except Cadillac), Forward & Second,Clutch (AWD) Pistons) (Does not contain, Overdrive (2WD), Low/Reverse Cadillac), Second Coast (2WD), Second Clutch (BMW 2WD) or Second (Cadillac) Clutch Pistons). (Needs, Second Coast, & Overdrive (AWD) Clutch Pistons, 5L40E.PIS10 x 2 to Complete Kit)	98-ON	1	5L40E.PISKIT51

ILL NO.	DESCRIPTION	YEARS	QTY	PART NO
MOULDED PISTONS Cont...				
Kit	Piston Kit (Combi Kit) (Precision) (12 Pistons, Contains Direct, Reverse, Coast, Overdrive Intermediate, Low/Rev (Except Cadillac), Low/Rev (Cadillac), Second Coast (2WD), Second (BMW 2WD), Second (Cadillac), Second (AWD) & Forward Clutch Pistons) (Does not contain, Second (AWD), Second Coast (AWD) & Overdrive (AWD) Clutch Pistons) (Needs Second Coast (AWD) & Overdrive (AWD) 5L40E.PIS10 to Complete Kit)	98-ON	1	5L40E.PISKIT53
170B	Piston, Reverse Clutch (OEM)	98-ON	1	5L40E.PIS03
170B	Piston, Reverse Clutch (Precision®).....	98-ON	1	5L40E.PIS53
171B	Piston, Direct Clutch (OEM)	98-ON	1	5L40E.PIS01
171B	Piston, Direct Clutch (Precision®).....	98-ON	1	5L40E.PIS51
172C	Piston, Forward Clutch (OEM)	98-ON	1	5L40E.PIS04
172C	Piston, Forward Clutch (Precision®).....	98-ON	1	5L40E.PIS54
173C	Piston, Coast Clutch (OEM)	98-ON	1	5L40E.PIS02
173C	Piston, Coast Clutch (Precision®).....	98-ON	1	5L40E.PIS52
174F	Piston, Overdrive Brake (Check Pt No. of old piston) (OEM, 2WD)	98-ON	1	5L40E.PIS05
174F	Piston, Overdrive Brake (Precision®, 2WD).....	98-ON	1	5L40E.PIS55
174F	Piston, Overdrive Brake (OEM, BMW AWD)	98-ON	1	5L40E.PIS10
174F	Piston, Overdrive Brake (Precision®, BMW AWD).....	98-ON	1	5L40E.PIS60
175F	Piston, Intermediate Brake (OEM)	98-ON	1	5L40E.PIS06
175F	Piston, Intermediate Brake (Precision®).....	98-ON	1	5L40E.PIS56
176H	Piston, Low/Rev Brake (OEM, Except Cadillac).....	98-ON	1	5L40E.PIS07
176H	Piston, Low/Rev Brake (Precision®, Except Cadillac) ..	98-ON	1	5L40E.PIS57
176H	Piston, Low/Rev Brake (OEM)	98-Mid99	1	5L40E.PIS11
176H	Piston, Low/Rev Brake (Precision®).....	98-Mid99	1	5L40E.PIS61
177H	Piston, Second Brake (OEM) (134mm OD x 18.50mm Hight) . 6/99-12/011			5L40E.PIS08
177H	Piston, Second Brake (Precision®) (134mm OD x 18.50mm Hight) . 6/99-12/011			5L40E.PIS58
177H	Piston, Second Brake (OEM) (128mm OD x 18.00mm Hight) . 02-ON		1	5L40E.PIS12
177H	Piston, Second Brake (Precision®) (128mm OD x 18.00mm Hight) . 02-ON		1	5L40E.PIS62
177H	Piston, Second Brake (OEM) (128mm OD x 20.00mm Hight) . 98-Mid99		1	5L40E.PIS13
177H	Piston, Second Brake (Precision®) (128mm OD x 20.00mm Hight) . 98-Mid99		1	5L40E.PIS63
178H	Piston, Second Coast Brake (Check Pt No. of old piston) (OEM, 2WD)	98-ON	1	5L40E.PIS09
178H	Piston, Second Coast Brake (Check Pt No. of old piston) (Precision®, 2WD).....	98-ON	1	5L40E.PIS59
178H	Piston, Second Coast Brake (Check Pt No. of old piston) (OEM, BMW AWD)	98-ON	1	5L40E.PIS10
178H	Piston, Second Coast Brake (Check Pt No. of old piston) (Precision®, BMW AWD).....	98-ON	1	5L40E.PIS60

5L40E (A5S 360R) BMW 98 on & Cadillac 03 on 5 SPEED RWD (Full Electronic Control)



AUTOMATIC CHOICE



THE AUTOMATIC TRANSMISSION PARTS WAREHOUSE

ILL NO.	DESCRIPTION	YEARS	QTY	PART NO
SEALING RINGS				
Kit	Sealing Ring Kit (Transtec).....	99-ON	1	5L40E.SRK01
Kit	Sealing Ring Kit (Precision).....	99-ON	1	5L40E.SRK02
FRICTION PLATES				
Kit	Friction Plate Kit Except BMW X5 & Range Rover (Without 6 Tooth Second Coast Frictions)	99-01	1	5L40E.FRK01
Kit	Friction Plate Kit BMW X5 & Range Rover (Without 6 Tooth Second Coast Frictions)	99-01	1	5L40E.FRK02
Kit	Friction Plate Kit Except BMW X5 & Range Rover (With 6 Tooth Second Coast Frictions)	02-ON	1	5L40E.FRK03
Kit	Friction Plate Kit BMW X5 & Range Rover (With 6 Tooth Second Coast Frictions)	02-ON	1	5L40E.FRK04
Kit	Friction Plate Kit (Alto)	99-ON	1	5L40E.FRK51
Kit	Friction Plate Kit 4WD (Alto)	99-ON	1	5L40E.FRK52
250B	Direct Clutch (Internal Spline) (172.6mm OD x 1.60mm x 36T) 99-ON		4	5L40E.FRP01
250B	Direct Clutch (Internal Spline) (172.6mm OD x 1.60mm x 36T) (BMW X5 3.0Ltr Diesel)	99-ON	5	5L40E.FRP01
251B	Direct Clutch (External Spline) (155.1mm ID x 1.60mm x 36T) . 99-ON		4	5L40E.FRP02
251B	Direct Clutch (External Spline) (155.1mm ID x 1.60mm x 36T) (BMW X5 3.0Ltr Diesel)	99-ON	5	5L40E.FRP02
252B	Reverse Clutch (Internal Spline) (179.4mm OD x 1.60mm x 36T) 99-ON		2	5L40E.FRP05
252B	Reverse Clutch (Internal Spline) (179.4mm OD x 1.60mm x 36T) (BMW X5 3.0Ltr Diesel)	99-ON	3	5L40E.FRP05
253B	Reverse Clutch (External Spline) (164.2mm ID x 1.60mm x 36T) . 99-ON		2	5L40E.FRP06
253B	Reverse Clutch (External Spline) (164.2mm ID x 1.60mm x 36T) (BMW X5 3.0Ltr Diesel)	99-ON	3	5L40E.FRP06
254C	Coast Clutch (Internal Spline) (123.1mm OD x 1.60mm x 24T) 99-ON		3	5L40E.FRP03
254C	Coast Clutch (Internal Spline) (123.1mm OD x 1.60mm x 24T) (BMW X5 3.0Ltr Diesel)	99-ON	4	5L40E.FRP03
255C	Coast Clutch (External Spline) (104.8mm ID x 1.60mm x 12T) . 99-ON		3	5L40E.FRP04
255C	Coast Clutch (External Spline) (104.8mm ID x 1.60mm x 12T) (BMW X5 3.0Ltr Diesel)	99-ON	4	5L40E.FRP04
256C	Forward Clutch (Internal Spline) (129.8mm OD x 1.60mm x 24T) 99-ON		3-4	5L40E.FRP07
257C	Forward Clutch (External Spline) (104.8mm ID x 1.60mm x 24T) . 99-ON		3-4	5L40E.FRP08
258F	Overdrive Clutch (Internal Spline) (179.4mm OD x 1.60mm x 36T) 99-ON		2	5L40E.FRP05
259F	Overdrive Clutch (External Spline) (164.2mm ID x 1.60mm x 36T) . 99-ON		2	5L40E.FRP06
260F	Intermediate Clutch (Internal Splines) (134.8mm OD x 1.60mm x 24T) 99-ON		3	5L40E.FRP11
261F	Intermediate Clutch (External Spline) (104.9mm ID x 1.60mm x 24T) . 99-ON		3	5L40E.FRP12
262H	Low/Reverse Clutch (Internal Spline) (172.6mm OD x 1.60mm x 36T) 99-ON		5	5L40E.FRP01
262H	Low/Reverse Clutch (Internal Spline) (172.6mm OD x 1.60mm x 36T) (BMW X5 3.0Ltr Diesel)	99-ON	6	5L40E.FRP01
263H	Low/Reverse Clutch (External Spline) (155.1mm ID x 1.60mm x 29T) . 99-ON		5	5L40E.FRP14

ILL NO.	DESCRIPTION	YEARS	QTY	PART NO
FRICTION PLATES Cont...				
263H	Low/Reverse Clutch (External Spline) (155.1mm ID x 1.60mm x 29T) (BMW X5 3.0Ltr Diesel)	99-ON	6	5L40E.FRP14
264H	Second Clutch (Internal Splines) (129.8mm OD x 1.60mm x 24T) 99-01		5	5L40E.FRP15
264H	Second Clutch (Internal Splines) (129.8mm OD x 1.60mm x 24T) (BMW X5 3.0Ltr Diesel)	99-01	6	5L40E.FRP15
264H	Second Clutch (Internal Splines) (137.8mm OD x 1.60mm x 24T) 02-ON		5	5L40E.FRP19**
265H	Second Clutch (External Splines) (113.7mm ID x 1.60mm x 24T) . 99-01		5	5L40E.FRP16
265H	Second Clutch (External Splines) (113.7mm ID x 1.60mm x 24T) (BMW X5 3.0Ltr Diesel)	99-01	6	5L40E.FRP16
265H	Second Clutch (External Splines) (113.8mm ID x 1.60mm x 24T) . 02-ON		5	5L40E.FRP20**
266H	Second Coast Clutch (Internal Spline) (172.6mm OD x 1.60mm x 36T) 99-01		3	5L40E.FRP01
266H	Second Coast Clutch (Internal Spline) (175.8mm OD x 1.65mm x 36T) 02-ON		3	5L40E.FRP21**
267H	Second Coast Clutch (External Spline) (155.1mm ID x 1.60mm x 36T) . 99-01		3	5L40E.FRP02
267H	Second Coast Clutch (External Spline) (163.2mm ID x 1.60mm x 6T) ... 02-ON		3	5L40E.FRP22**
** Alternative Sizes				
For late 2001 & Early 2002 check sizes as not all vehicles Changed at exactly the same point				
STEEL PLATES				
300B	Waved Steel, Direct Clutch	99-ON	1	5L40E.STP03
301B	Waved Steel, Reverse Clutch ...	99-ON	1	5L40E.STP04
302C	Waved Steel, Coast Clutch	99-ON	1	5L40E.STP05
303C	Waved Steel, Forward Clutch ...	99-ON	1	5L40E.STP02
304F	Waved Steel, Intermediate Brake.....	99-ON	1	5L40E.STP01
PRESSURE PLATES				
403C	Forward Clutch (5.00mm Thick)	99-ON	AR	5L40E.PP01
	(5.50mm Thick)	99-ON	AR	5L40E.PP02
404F	Overdrive Brake (5.00mm Thick)	99-ON	1	5L40E.PP03
406H	Low/Reverse Brake (5.00mm Thick)	99-ON	1	5L40E.PP04
SPRINGS & CIRCLIPS				
411C	Return Spring, Fwd/Coast Clutch	99-ON	1	5L40E.SPR03
416K	Accumulator Spring (Long 66mm).....	99-ON	4	5L40E.SPR01
416K	Accumulator Spring (Short 60mm)	99-ON	4	5L40E.SPR02
431B	Circlip, Direct Clutch Selective (2.30mm).....	99-ON	AR	5L40E.CIR01
	(2.65mm).....	99-ON	AR	5L40E.CIR02
	(3.00mm).....	99-ON	AR	5L40E.CIR03
	(3.35mm).....	99-ON	AR	5L40E.CIR04
	(3.70mm).....	99-ON	AR	5L40E.CIR05
	(4.05mm).....	99-ON	AR	5L40E.CIR06
	(4.40mm).....	99-ON	AR	5L40E.CIR07

5L40E (A5S 360R) BMW 98 on & Cadillac 03 on 5 SPEED RWD (Full Electronic Control)



AUTOMATIC CHOICE



THE AUTOMATIC TRANSMISSION PARTS WAREHOUSE

ILL NO.	DESCRIPTION	YEARS	QTY	PART NO
SPRINGS & CIRCLIPS Cont...				
432B	Circlip, Reverse Clutch Selective			
	(2.40mm).....	99-ON	AR	5L40E.CIR08
	(2.75mm).....	99-ON	AR	5L40E.CIR09
	(3.10mm).....	99-ON	AR	5L40E.CIR10
	(3.40mm).....	99-ON	AR	5L40E.CIR11
	(3.80mm).....	99-ON	AR	5L40E.CIR12
	(4.15mm).....	99-ON	AR	5L40E.CIR13
434C	Circlip, Forward Clutch Selective			
	(2.40mm).....	99-ON	AR	5L40E.CIR14
	(2.75mm).....	99-ON	AR	5L40E.CIR15
	(3.10mm).....	99-ON	AR	5L40E.CIR16
	(3.45mm).....	99-ON	AR	5L40E.CIR17
	(3.80mm).....	99-ON	AR	5L40E.CIR18
	(4.15mm).....	99-ON	AR	5L40E.CIR19
	(4.50mm).....	99-ON	AR	5L40E.CIR20
435F	Circlip, Overdrive Clutch Outer	99-ON	1	5L40E.CIR12
436F	Circlip, Overdrive Clutch Return Spring	99-ON	1	5L40E.CIR21
437F	Circlip, Intermediate Clutch Selective			
	(2.85mm).....	99-ON	AR	5L40E.CIR22
	(3.20mm).....	99-ON	AR	5L40E.CIR23
	(3.55mm).....	99-ON	AR	5L40E.CIR24
	(3.90mm).....	99-ON	AR	5L40E.CIR25
	(4.25mm).....	99-ON	AR	5L40E.CIR26
438F	Circlip, Intermediate & Overdrive Housing to Case			
	(3.50mm).....	99-ON	AR	5L40E.CIR27
	(3.60mm).....	99-ON	AR	5L40E.CIR28
	(3.70mm).....	99-ON	AR	5L40E.CIR29
	(3.80mm).....	99-ON	AR	5L40E.CIR30
	(3.90mm).....	99-ON	AR	5L40E.CIR31
440H	Circlip, Low/Reverse Clutch Selective			
	(2.30mm).....	99-ON	AR	5L40E.CIR01
	(2.65mm).....	99-ON	AR	5L40E.CIR02
	(3.00mm).....	99-ON	AR	5L40E.CIR03
	(3.35mm).....	99-ON	AR	5L40E.CIR04
	(3.70mm).....	99-ON	AR	5L40E.CIR05
	(4.05mm).....	99-ON	AR	5L40E.CIR06
	(4.40mm).....	99-ON	AR	5L40E.CIR07
443H	Circlip, Second Clutch Selective			
	(2.40mm).....	99-ON	AR	5L40E.CIR14
	(2.75mm).....	99-ON	AR	5L40E.CIR15
	(3.10mm).....	99-ON	AR	5L40E.CIR16
	(3.45mm).....	99-ON	AR	5L40E.CIR17
	(3.80mm).....	99-ON	AR	5L40E.CIR18
	(4.15mm).....	99-ON	AR	5L40E.CIR19
	(4.50mm).....	99-ON	AR	5L40E.CIR20
445H	Circlip, Second Coast Clutch Selective			
	(2.30mm).....	99-ON	AR	5L40E.CIR01
	(2.65mm).....	99-ON	AR	5L40E.CIR02
	(3.00mm).....	99-ON	AR	5L40E.CIR03
	(3.35mm).....	99-ON	AR	5L40E.CIR04
	(3.70mm).....	99-ON	AR	5L40E.CIR05
	(4.05mm).....	99-ON	AR	5L40E.CIR06
	(4.40mm).....	99-ON	AR	5L40E.CIR07
449K	Solenoid Retaining Clip.....	99-ON	5	5L40E.RET01
FILTERS				
450K	Pan Filter (BMW Except X5) (Spacer hight 17mm & 34mm, Tube has white spacer & two brown seals)	99-ON	1	5L40E.FIL01
450K	Pan Filter (4WD BMW X5 & Range Rover)	00-ON	1	5L40E.FIL02

ILL NO.	DESCRIPTION	YEARS	QTY	PART NO
FILTERS Cont...				
450K	Pan Filter (BMW Except X5 & Cadillac 2003-Up) (Spacer hight 7mm & 27mm, Tube only has two brown seals)			
	03-ON	1	5L40E.FIL03
451A	Pump Cover Filter.....	03-ON	1	TH700.FIL03
452K	Filter Screen (EPC Solenoid)....	03-ON	1	4L60E.FIL02
453K	Filter Screen (TCC Solenoid)....	03-ON	1	4L60E.FIL02
NI	Filter Kit (OEM BMW X5).....	00-ON	1	5L40E.FIL12
BUSHINGS				
Kit	Bushing Kit (7 Pieces) (Does not include front Stator Bush #551) (Use with installer 5L40E.TOOL04)			
	99-ON	1	5L40E.BK01
550A	Bell Housing (Sonnax™).....	99-ON	1	TH700.BUS03
551A	Pump Stator (Front).....	99-ON	1	TH700.BUS11
554C	Forward Clutch Drum.....	99-ON	1	5L40E.BUS02
555D	Direct Drum (Front) (Has 2 ID Grooves).....	99-ON	1	5L40E.BUS04
THRUST WASHERS & BEARINGS				
Kit	Thrust Washer, Plastic with 3 Tangs (Contains 1 x 605D & 1 x 606E)	99-ON	1	5L40E.TWK02
600A	Thrust Washer, Selective Reverse Drum to Stator (Size to be updated soon).....	99-ON	AR	5L40E.THW04
	(Size to be updated soon).....	99-ON	AR	5L40E.THW05
	(Size to be updated soon).....	99-ON	AR	5L40E.THW06
	(Size to be updated soon).....	99-ON	AR	5L40E.THW07
	(Size to be updated soon).....	99-ON	AR	5L40E.THW08
	(Size to be updated soon).....	99-ON	AR	5L40E.THW09
605D	Thrust Washer, Direct Clutch Hub (Plastic 3 Tang) Part of Kit.....	99-ON		5L40E.TWK02
606E	Thrust Washer, Input & Reaction Carrier Inner Shaft (Plastic 3 Tang) Part of Kit.....	99-ON		5L40E.TWK02
614J	Thrust Washer, 2nd Clutch Sprag to Planetary (Plastic).....	99-ON	1	5L40E.THW03
615J	Thrust Washer, Planetary Gears (25.80mm I.D.).....	99-ON	1	5L40E.THW14
616J	Thrust Washer, Planetary Gears (27.70mm I.D.).....	99-ON	1	5L40E.THW15
ELECTRICAL COMPONENTS				
700K	EPC Solenoid (OEM).....	99-03	1	5L40E.SOL11
700K	EPC Solenoid (Borg Warner) (Click Here for Information).....	99-03	1	4T40E.SOL01
700K	EPC Solenoid.....	04-ON	1	4T40E.SOL05
701K	TCC/PWM Solenoid(OEM).....	99-ON	1	5L40E.SOL13
701K	TCC/PWM Solenoid (Aftermarket).....	99-ON	1	5L40E.SOL03
702K	1-2 Shift Solenoid.....	99-ON	1	5L40E.SOL04
703K	2-3 Shift Solenoid.....	99-ON	1	5L40E.SOL04
704K	4-5 Shift Solenoid.....	99-ON	1	5L40E.SOL04
705K	Input Speed Sensor.....	99-ON	1	5L40E.ELE03
706K	Output Speed Sensor.....	99-ON	1	5L40E.ELE03
707K	Valve Body Loom.....	99-ON	1	5L40E.ELE04
NI	PRNDL Switch (BMW).....	99-ON	1	5L40E.ELE02

5L40E (A5S 360R) BMW 98 on & Cadillac 03 on 5 SPEED RWD (Full Electronic Control)



AUTOMATIC CHOICE



THE AUTOMATIC TRANSMISSION PARTS WAREHOUSE

ILL NO.	DESCRIPTION	YEARS	QTY	PART NO
VALVE BODY PARTS				
750K	Valve Body Assy (Remanufactured) Various Options Call for Info	99-ON	1	5L40E.VBxx
751K	Valve Body (Front Section) (With Solenoids, Petrol/Diesel) (Also fits later 4L40E Units)	99-ON	1	5L40E.VB10
752K	Valve Body (Rear Section) (With Solenoids, Diesel).....	99-ON	1	5L40E.VB11
Kit	Boost Valve & Spacer Kit (Sonnax® Click Here for Info) ...	99-ON	1	5L40E.VA01
Kit	TCC Regulator Valve & Sleeve (Sonnax) (Requires Tool Kit 5L40E.VA03) & Universal Valve Body Fixture AG4.VA05) (Click Here for Information).....	99-ON	1	5L40E.VA02
Kit	Tool Kit for 5L40E.VA02 (Sonnax) (Reamer Jig, Guide Pin & Reamer)	99-ON	1	5L40E.VA03
Kit	Actuator Feed Limit Valve & Sleeve (Sonnax®) (Requires Tool Kit 5L40E.VA05 & Universal Valve Body Fixture AG4.VA05) (Click Here for Information).....	99-ON	1	5L40E.VA04
Kit	Tool Kit for 5L40E.VA04 & 5L40E.VA08 (Sonnax®) (Two Reamers & Guide Pin)	99-ON	1	5L40E.VA05
Kit	Pressure Regulator Valve & Sleeve Kit (Sonnax®) (Requires Tool Kit 5L40E.VA07) (Click Here for Information).....	99-ON	1	5L40E.VA06
Kit	Tool Kit for 5L40E.VA06 (Sonnax®).....	99-ON	1	5L40E.VA07
Kit	Reverse Lockout Valve and Sleeve Kit (Sonnax®) (Requires Tool Kit 5L40E.VA05 & Universal Valve Body Fixture AG4.VA05) (Click Here for Information).....	99-ON	1	5L40E.VA08
Kit	Actuator Feed Limit Valve, Repair Kit (Includes reamer plus springs and valves to fix 3 transmissions) (TransGo®	99-ON	1	5L50E.SK01
Kit	Refill Kit for 5L40E.SK01 (TransGo® Services 5 units).....	99-ON	1	5L40E.SK02
HARD PARTS				
Kit	Pump Service Kit, Includes the Following Items (Rotor & Slide Kit, Pump Seal, Boost Valve, Duralife Pump Bush & Pump Cover Filter)	99-ON	1	5L40E.CAS04
800A	Oil Pump (Remanufactured) There are various options available on this item, please contact our sales team, who will be pleased to give you further details.			
801A	Rotor, 13 Vane	99-ON	1	TH700.PUM20
803A	Rotor & Slide Kit, 13 Vane	99-ON	1	4L60E.PUM02
804A	Ring, Pump Rotor to Vane (Black Steel).....	99-ON	2	TH700.PUM03
805A	Rotor Guide (13 Vane)	99-ON	1	TH700.PUM19
806A	Vane Kit (Package of 13)	99-ON	1	TH700.PUM08
807A	Pump Slide (For 13 Vane Rotor)	99-ON	1	TH700.PUM18
808C	Input Drum (1 ID Groove) (Diesel).....	99-ON	1	5L40E.DRU07
813C	Coast Clutch Housing (35.2cm Ext Height/25.9cm Int Height) (4 x Coast/3 x Forward Plates) .	99-ON	1	5L40E.HUB04
813C	Coast Clutch Housing (35.2cm Ext Height/22.3cm Int Height) (3 x Coast/3 x Forward Plates) .	99-ON	1	5L40E.HUB05
813C	Coast Clutch Housing (32.4cm Ext Height/25.9cm Int Height) (4 x Coast/4 x Forward Plates) .	99-ON	1	5L40E.HUB06

ILL NO.	DESCRIPTION	YEARS	QTY	PART NO
HARD PARTS Cont...				
816D	Forward Sprag	99-ON	1	5L40E.OWC01
819E	Intermediate Sprag	99-ON	1	5L40E.OWC01
822F	Intermediate Drum (Used)	99-ON	1	5L40E.DRU02
826G	Low Clutch Sprag.....	99-ON	1	5L40E.OWC02
835J	Second Clutch Sprag.....	99-ON	1	5L40E.OWC03
848K	Oil Pan, (Deep with Gasket) (BMW X5, Range Rover)	99-ON	1	5L40E.PAN01
SPECIAL ITEMS				
TOOLS & MANUALS				
NI	ATSG Rebuild Manual (4L40E/5L40E).....	99-ON		5L40E.MAN01
Tools				
Click here to see special tools available for this unit				