

4T65E

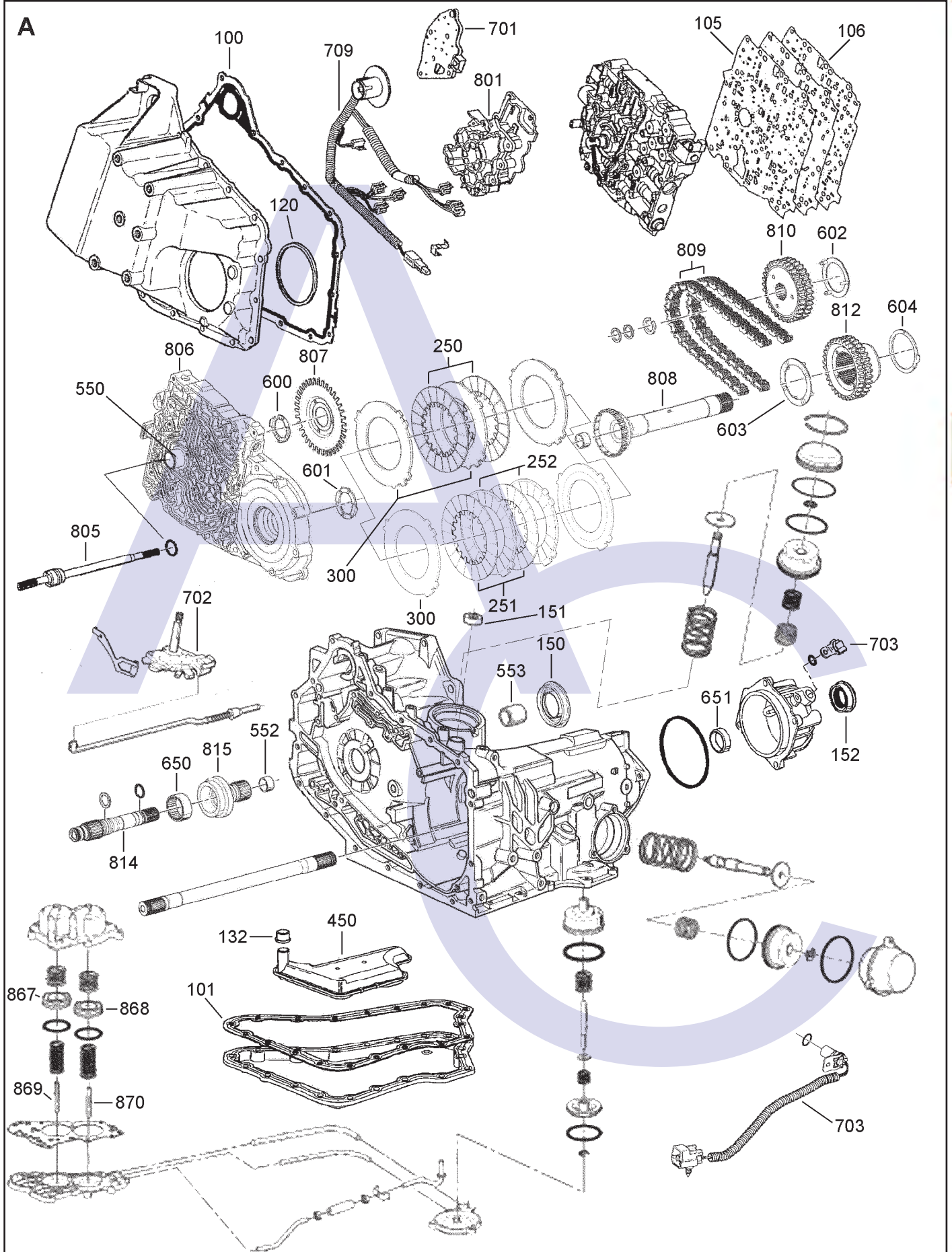
4 SPEED FWD (Electronic Control)



AUTOMATIC CHOICE



THE AUTOMATIC TRANSMISSION PARTS WAREHOUSE



4T65E

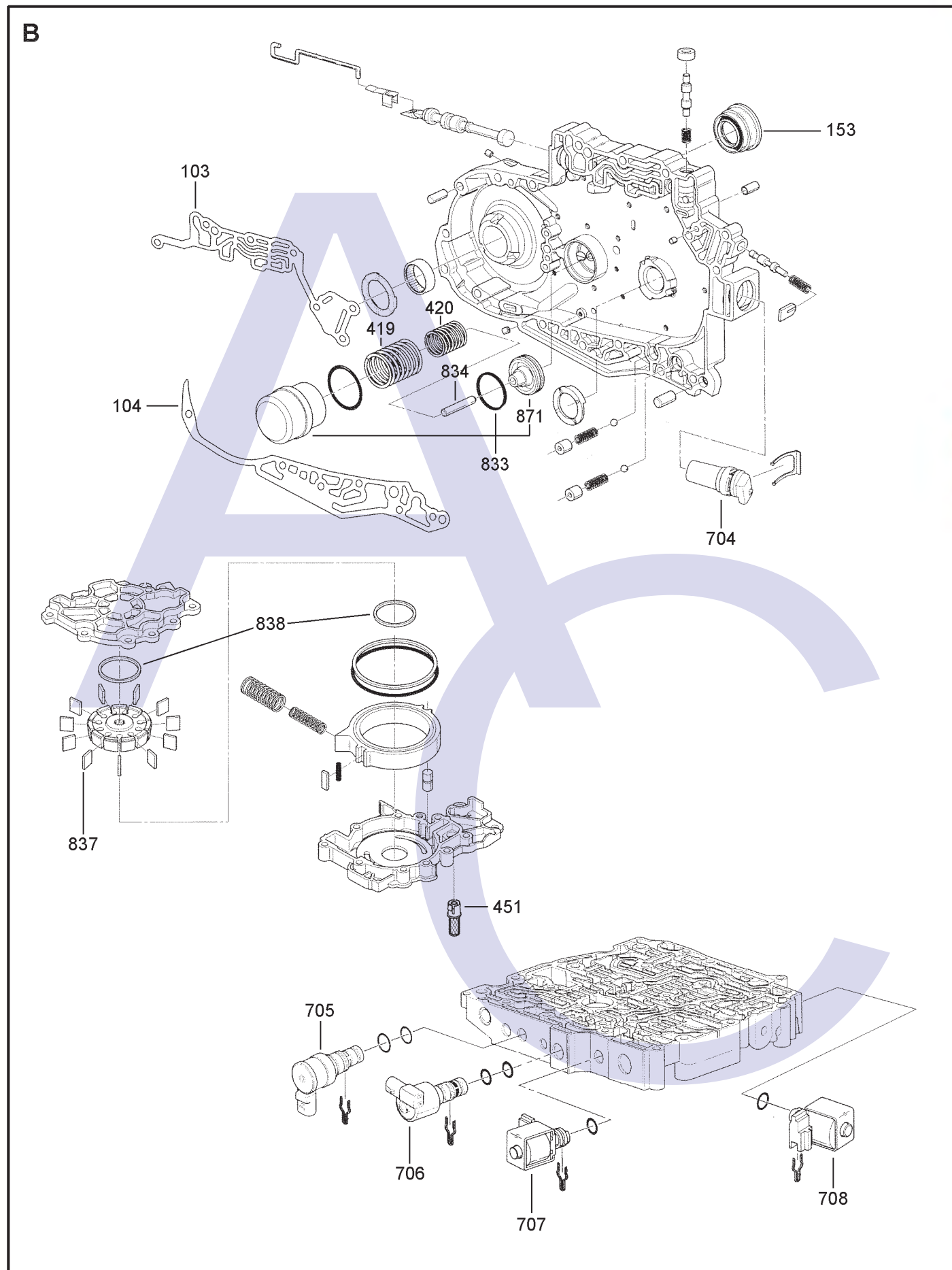
4 SPEED FWD (Electronic Control)



AUTOMATIC CHOICE



THE AUTOMATIC TRANSMISSION PARTS WAREHOUSE



4T65E

4 SPEED FWD (Electronic Control)

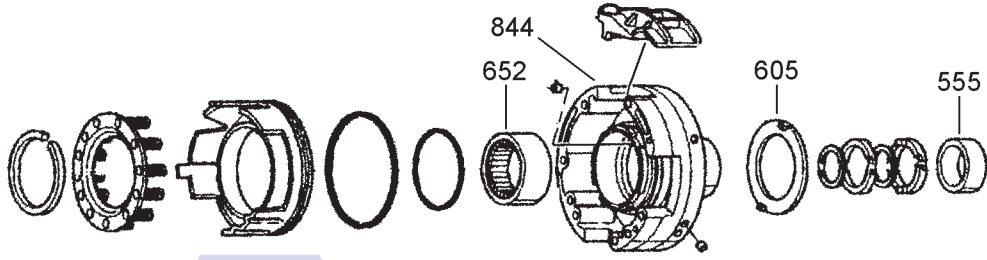


AUTOMATIC CHOICE

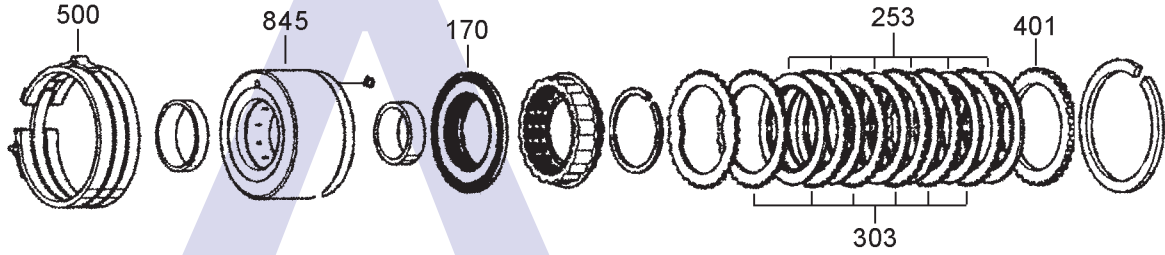


THE AUTOMATIC TRANSMISSION PARTS WAREHOUSE

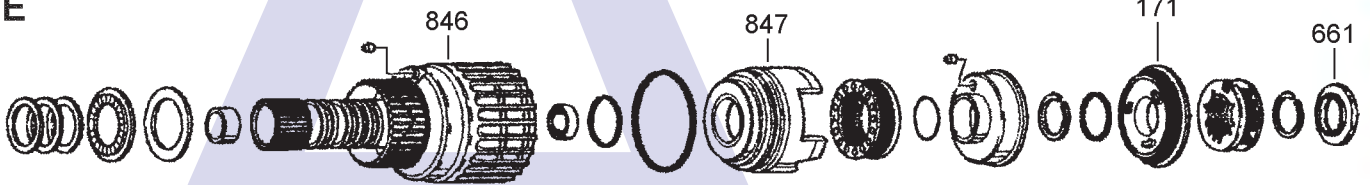
C



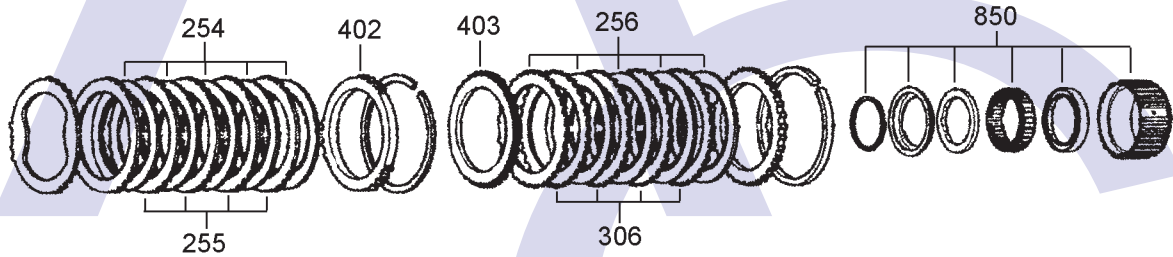
D



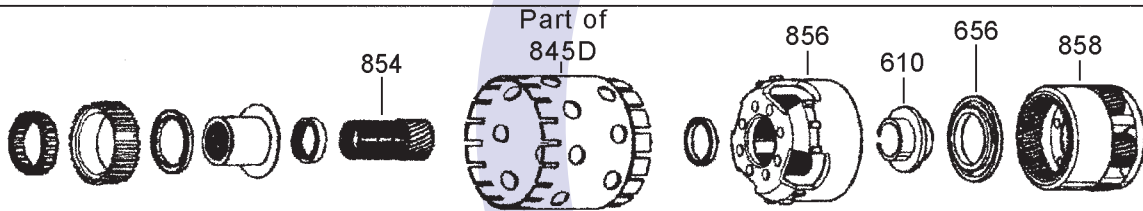
E



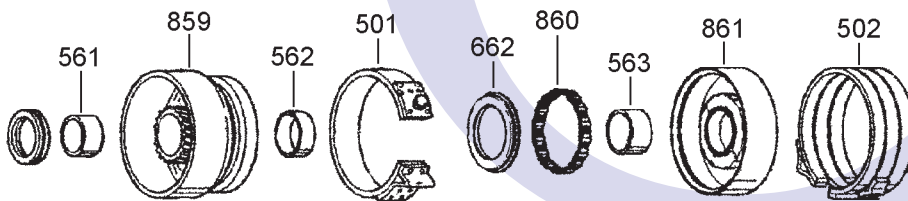
F



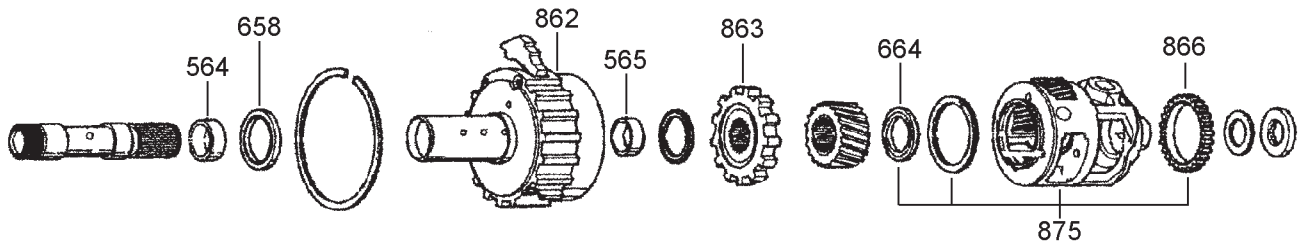
G



H



J



4T65E

4 SPEED FWD (Electronic Control)



AUTOMATIC CHOICE



THE AUTOMATIC TRANSMISSION PARTS WAREHOUSE

ILL NO.	DESCRIPTION	YEARS	QTY	PART NO
KITS				
Kit	Overhaul Kit (Except Volvo) (Transtec) (To Fit Volvo Requires The Following: 1 x 4T65E.MCS03 & 1 x 4T65E.GK02) 97-ON	97-ON	1	4T65E.OHK01
Kit	Overhaul Kit (Volvo) (Transtec).....	97-ON	1	4T65E.OHK02
Kit	Valve Body Gasket (Volvo)	99-ON	1	4T65E.GK02
Kit	Overhaul Kit (Transtec) (Transfer Case).....	97-ON	1	4T65E.OHK03
GASKETS				
100A	Side Cover, Outer (Aftermarket)	97-ON	1	4T65E.GAS01
100A	Side Cover, Outer (OEM).....	97-ON	1	4T65E.GAS02
101A	Oil Pan (Rubber).....	97-ON	1	4T60E.GAS01
103A	Upper Channel Plate (1 Piece Design)	97-ON	1	4T60E.GAS02
103B	Channel Plate to Case (Upper).....	97-ON	1	4T65E.GAS05
104B	Channel Plate to Case (Lower).....	97-ON	1	4T65E.GAS06
105A	V.B. Separator Plate to Valve Body (US Models)	97-ON	1	4T65E.GAS03
106A	V.B. Separator Plate to Channel Plate (US Models)	97-ON	1	4T65E.GAS04
RUBBER COMPONENTS				
120A	Side Cover Inner Seal (Lathe Cut)	97-ON	1	4T65E.SQR01
132A	Filter Seal, (Multi Lip).....	97-ON	1	TH440.RUB01
METAL CLAD SEALS				
150A	Converter (Volvo)	97-ON	1	4T65E.MCS01
150A	Converter (Except Volvo).....	97-ON	1	TH125.MCS01
151A	Manual Lever	97-ON	1	TH125.MCS03
152A	Axle, Right Hand (Ex Volvo).....	97-ON	1	TH125.MCS02
152A	Axle, Right Hand (Volvo).....	97-ON	1	4T65E.MCS03
153B	Axle, Left Hand (All)	97-ON	1	4T65E.MCS04
MOULDED PISTONS				
170D	Second Clutch (13.60mm OD)..	97-ON	1	4T65E.PIS02
171E	Third Clutch (No Check Ball)	97-ON	1	4T65E.PIS01
SEALING RINGS				
Kit	Sealing Ring Kit	99-ON	1	4T65E.SRK01
FRICTION PLATES				
Kit	Friction Plate (Not Volvo 2002 On)	97-00	1	4T65E.FRK01
Kit	Friction Plate (Including Volvo)	01-ON	1	4T65E.FRK02
Kit	Friction Plate (Pawl Type OWC Design).....	03-ON	1	4T65E.FRK03
Kit	Friction & Steel Plate (Alto) (Volvo Only)	99-ON	1	4T65E.FRK51
Kit	Friction & Steel Plate (Alto).....	97-00	1	4T65E.FRK52
Kit	Friction & Steel Plate (Alto).....	01-ON	1	4T65E.FRK53
250A	Fourth Clutch (Not Volvo) (136mm OD x 1.80mm x 32T) ..	97-99	2	4T65E.FRP02
251A	Fourth Clutch Internal Spline (Inc Volvo) (136mm OD x 1.50mm x 32T) ..	99-ON	2	4T65E.FRP03

ILL NO.	DESCRIPTION	YEARS	QTY	PART NO
FRICTION PLATES Cont...				
252A	Fourth Clutch External Spline (Inc Volvo) (89mm ID x 1.50mm x 3T)	99-ON	2	4T65E.FRP04
253D	Second Clutch (139mm OD x 1.80mm x 42T) ..	97-ON	6	4T65E.FRP01
254F	3rd Clutch High Energy (1 Sided Internal Spline) (112mm OD x 2.00mm x 32T)...	97-ON	5	TH440.FRP05
255F	3rd Clutch High Energy (1 Sided External Spline) 85.70mm OD x 2.00mm x 12T)	97-ON	5	TH440.FRP06
256F	Input Clutch (118mm OD x 1.65mm x 32T)...	97-02	4	4T60E.FRP01
256F	Input Clutch (118mm OD x 1.65mm x 30T)...	03-ON	4	4T65E.FRP05
STEEL PLATES				
Kit	Steel Plate.....	97-ON	1	4T65E.STK01
Kit	Friction & Steel Plate (Alto) (Volvo Only)	99-ON	1	4T65E.FRK51
Kit	Friction & Steel Plate (Alto).....	97-00	1	4T65E.FRK52
Kit	Friction & Steel Plate (Alto).....	01-ON	1	4T65E.FRK53
300A	Fourth Clutch (89.23mm ID x 2.10mm x 3T) ...	97-ON	2	4T65E.STP01
303D	Second Clutch (98.55mm ID x 1.70mm x 36T) ..	97-ON	5	4T65E.STP03
303D	Second Clutch Oversize (98.55mm ID x 2.23mm x 36T) ..	97-ON	AR	4T65E.STP05
306F	Input Clutch (89.33mm ID x 1.93mm x 26T) ..	97-ON	4	TH440.STP10
PRESSURE PLATES				
401D	2nd Clutch (5.77mm).....	97-ON	1	4T65E.PP01
402F	3rd Clutch (3.88mm).....	97-ON	1	TH440.PP04
403F	Input Clutch (Apply) (4.83mm).....	97-ON	1	TH440.PP05
SPRINGS & CIRCLIPS				
419B	Spring, 3-4 Accumulator (Outer)	97-ON	1	4T65E.SPR01
420B	Spring, 3-4 Accumulator (Inner)	97-ON	1	4T65E.SPR02
FILTERS				
450A	Filter, Oil Pan (Aftermarket)	97-ON	1	4T60E.FIL01
450A	Filter, Oil Pan (OEM).....	97-ON	1	4T60E.FIL11
451B	Oil Pump Pressure Screen	97-ON	1	TH440.FIL02
NI	Screen, TCC Solenoid	97-ON	1	TH440.FIL04
NI	Screen, Shift Solenoid	97-ON	3-4	TH440.FIL07
NI	Screen, 1-2 Servo	97-ON	1	TH440.FIL08
BANDS				
500D	Reverse Brake Band Hi Energy	97-ON	1	4T60E.BAN03
501H	1-2 Brake Band Hi Energy	97-ON	1	4T60E.BAN01
502H	Forward Brake Band Hi Energy	97-ON	1	4T60E.BAN02

4T65E

4 SPEED FWD (Electronic Control)



AUTOMATIC CHOICE



THE AUTOMATIC TRANSMISSION PARTS WAREHOUSE

ILL NO.	DESCRIPTION	YEARS	QTY	PART NO
BUSHINGS				
Kit	Bush Kit (12 Bushings)	97-ON	1	4T65E.BK01
550A	Sleeve, Channel Plate	97-ON	1	4T65E.SL01
552A	Stator Support (Front)	97-ON	1	TH700.BUS11
553A	Converter Hub	97-ON	1	TH125.BUS02
555C	Bush, Driven Sprocket Support	97-ON	1	TH440.BUS08
561H	Bush, Rear Sun Gear (Front Wide)	97-ON	1	4T60E.BUS03
562H	Bush, Rear Sun Gear (Rear narrow)	97-ON	1	4T60E.BUS04
563H	Bush, 2-1 Coast Drum (31.75mm Wide)	97-ON	1	4T60E.BUS05
564J	Bush, Final Drive Internal Gear (Front)	97-ON	1	TH440.BUS09
565J	Bush, Final Drive Internal Gear (Rear)	97-ON	1	TH440.BUS09
THRUST WASHERS & BEARINGS				
Kit	Thrust Washer	97-ON	1	4T65E.TK01
Kit	Repair, Final Drive Planet (16 Large Steel Washers)	97-ON	1	TH440.TK02
Kit	Bearing Kit	97-ON	1	TH440.TK03
600A	Thrust Washer, Drive Sprocket to Case Cover	97-ON	1	4T65E.THW02
601A	Thrust Washer, 4th Hub to Case Cove	97-ON	1	4T65E.THW07r
602A	Thrust Washer, Drive Sprocket to Support	97-ON	1	4T65E.THW04
602A	Thrust Washer Kit, Drive Sprocket to Support (Early & Late Types)	97-ON	1	4T65E.THW06
603A	Thrust Washer, 4th Clutch Hub to Driven Sprocket	97-ON	1	4T65E.THW01
604A	Thrust Washer, Driven Sprocket to Support (3 Legs)	97-ON	1	4T65E.THW03
605C	Thrust Washer, Driven Sprocket Support to 2nd Clutch Drum	97-ON	1	4T65E.THW05
610G	Oil Dam, Front Planet (Plastic)	97-ON	1	TH440.THW01
650A	Bearing, Converter Reactor (Presses Inside)	97-ON	1	TH125.THW15
651A	Needle Bearing, Ext Housing	97-ON	1	TH440.BE02
652C	Bearing, Driven Sprocket Sup...	97-ON	1	TH440.BE02
656G	Bearing, Front Planet to Rear Planet	97-ON	1	TH440.THW10
657H	Bearing, Rear Planet to Sun Gear Drum	97-ON	1	TH440.THW11
658J	Bearing, Reaction Drum to Internal Ring Gear	97-ON	1	TH440.THW12
659J	Bearing, Park Gear to Ring Gear	97-ON	1	TH440.THW17
660E	Bearing, 2nd Clutch Drum to Input Drum	97-ON	1	TH440.THW14
661E	Bearing, Input Drum (Rear)	97-ON	1	TH440.THW15
662H	Bearing, 1-2 Sprag to Forward Band Drum	97-ON	1	TH440.THW16
664J	Bearing, Sun Gear to Diff Carrier (57.15mm O.D.)	97-ON	1	TH440.THW18
NI	Bearing Axle Stabiliser, Both Sides (Bearing & Seal Teckpak)	97-ON	1	4T65E.BE01
ELECTRICAL COMPONENTS				
701A	Switch, Manifold (Pressure Range Sensor)	97-ON	1	4T65E.ELE01
701A	Switch, Manifold (Pressure Range Sensor)	03-ON	1	4T65E.ELE10

ILL NO.	DESCRIPTION	YEARS	QTY	PART NO
ELECTRICAL COMPONENTS Cont...				
702A	Internal Mode Switch	97-ON	1	4T65E.ELE08
703A	Sensor, Output (VSS) Not Volvo (2 Prong 50.80mm Tall)	97-99	1	4T60E.ELE01
703A	Sensor, Output (VSS) Not Volvo (Long Connector)	99-ON	1	4T60E.ELE09
703A	Sensor, Output Speed (VSS) (70cm Loom Volvo Only)	97-01	1	4T65E.ELE04
703A	Sensor, Output Speed (VSS) (70cm Loom Volvo Only)	02-ON	1	4T65E.ELE12
704B	Sensor, Input Speed (TSS) (Except Volvo)	97-ON	1	4T65E.ELE02
704B	Sensor, Input Speed (TSS) (Volvo Only)	97-ON	1	4T65E.ELE03
705B	TCC Solenoid (PWM)	97-ON	1	4L60E.SOL01
706B	EPC Solenoid (Borg Warner) (Click here for Info)	97-02	1	4T40E.SOL01
706B	EPC Solenoid (Silver Bosch)	03-ON	1	4T40E.SOL05
707B	1-2/3-4 Shift Solenoid ('A')	97-ON	1	4T65E.SOL03
708B	2-3 Shift Solenoid ('B')	97-ON	1	4T65E.SOL03
709A	Internal Wiring Loom (14 Pin) (Can Use 4T65E.ELE14)	97-ON	1	4T65E.ELE06
709A	Internal Wiring Loom (19 Pin) (Can Use 4T65E.ELE14)	00-ON	1	4T65E.ELE07
709A	Internal Wiring Loom (17 Pin) (Can Use 4T65E.ELE14)	03-ON	1	4T65E.ELE13
709A	Internal Wiring Loom (Universal all Connector Types)	97-ON	1	4T65E.ELE14
VALVE BODY PARTS				
NI	Valve Body Assembly (Rebuilt) (Vehicle Details Required)	97-ON	1	4T65E.VB##
Kit	Shift Kit	97-ON	1	4T65E.SK01
Kit	Shift Correction Kit (Superior)	97-ON	1	4T65E.SK02
Kit	Boost Valve & Sleeve (Sonnax®)	97-ON	1	4T65E.VA01
Kit	1-2 & Reverse Servo Boost Valve (Sonnax® Click here for Info) (Requires Tool 4T60E.VA15)	97-ON	1	TH440.VA10
Kit	Tool Kit For TH440.VA10	97-ON	1	4T60E.VA15
Kit	Oversize Pressure Regulator Valve (Requires 4T60E.VA17 Toolkit) (Sonnax® Click here for Info)	97-ON	1	4T60E.VA16
Kit	Toolkit for 4T60E.VA16 (Sonnax®)	97-ON	1	4T60E.VA17
Kit	TCC Regulator Apply valve Kit (Sonnax® Click here for Info)	97-ON	1	4T65E.VA02
Kit	TCC Apply Valve Kit (Requires 4T65E.VA04 Reamer) (Sonnax® Click here for Info)	97-ON	1	4T65E.VA03
Kit	(Reaming Tool For 4T65E.VA03) (Sonnax®)	97-ON	1	4T65E.VA04
Kit	Oversized TCC Apply Valve Kit (Requires Tool 4T65E.VA06 and Valve Body Fixture AG4.VA05) (Sonnax® Click here for Info)	97-ON	1	4T65E.VA05
Kit	Reaming Tool for 4T65E.VA05 (Sonnax®)	97-ON	1	4T65E.VA06
Kit	AFL Valve & Sleeve Kit (Requires Tool 4T65E.VA08 and Valve Body Fixture AG4.VA05) (Sonnax® Click here for Info)	97-ON	1	4T65E.VA07
Kit	Reaming Tool for 4T65E.VA07 (Sonnax®)	97-ON	1	4T65E.VA08
Kit	Torque Signal Valve (Oversize) (Requires Tool 4T65E.VA11) (Sonnax® Click here for Info)	97-ON	1	4T65E.VA09
Kit	Reaming Tool for 4T65E.VA09 (Sonnax®)	97-ON	1	4T65E.VA11

4T65E

4 SPEED FWD (Electronic Control)



AUTOMATIC CHOICE



THE AUTOMATIC TRANSMISSION PARTS WAREHOUSE

ILL NO.	DESCRIPTION	YEARS	QTY	PART NO
VALVE BODY PARTS Cont...				
Kit	1-2 Accumulator Valve Requires Tool 4T65E.VA13 and Valve Body Fixture AG4.VA05 (Sonnax® Click here for Info) ... 97-ON	97-ON	1	4T65E.VA12
Kit	Reaming Tool for 4T65E.VA12 (Sonnax®)..... 97-ON	97-ON	1	4T65E.VA13
Kit	3-4 Accumulator Valve Oversize (GM) Requires Tool 4T65E.VA16 and Valve Body Fixture AG4.VA05 (Sonnax® Click here for Info) ... 97-ON	97-ON	1	4T65E.VA14
Kit	3-4 Accumulator Valve Oversize (Volvo) Requires Tool 4T65E.VA16 and Valve Body Fixture AG4.VA05 (Sonnax® Click here for Info) ... 97-ON	97-ON	1	4T65E.VA15
Kit	Reaming Tool for 4T65E.VA14 & VA15 (Sonnax®)..... 97-ON	97-ON	1	4T65E.VA16
Kit	Line Pressure Booster (Sonnax® Click here for Info) ... 97-ON	97-ON	1	4T65E.VA18
NI	2-3 Accumulator Valve (Sonnax® Click here for Info) ... 97-ON	97-ON	1	4T65E.VA17
NI	Universal Valve Body Fixture (Sonnax® Click here for Info) ... 97-ON	97-ON	1	AG4.VA05
HARD PARTS				
801A	Pump Assembly (Volvo) With Pump Rotor Support..... 97-ON	97-ON	1	4T65E.PUM01
805A	Pump Drive Shaft (254mm) 97-ON	97-ON	1	4T65E.SH01
806A	Channel Plate (2 Blow Off Balls) 97-02	97-02	1	4T65E.CAS01
806A	Channel Plate (1 Blow Off Ball) 97-02	97-02	1	4T65E.CAS02
806A	Channel Plate (2 Blow Off Balls) 03-ON	03-ON	1	4T65E.CAS03
806A	Channel Plate (1 Blow Off Ball) 03-ON	03-ON	1	4T65E.CAS04
806A	Channel Plate (Volvo Only) 99-02	99-02	1	4T65E.CAS05
806A	Channel Plate (Volvo & Tap Shift) 03-ON	03-ON	1	4T65E.CAS06
807A	Reluctor Ring, Input Speed Sensor (25 Teeth) 97-ON	97-ON	1	4T65E.SEN01
808A	Hub & Shaft, 4th Clutch 97-ON	97-ON	1	4T60E.DRU05
809A	Chain, (w/ Mouse Ear Link & D Pins) (12.70mm Wide) (Dual Chains) 97-ON	97-ON	1	4T65E.CH01
810A	Gear, Drive Sprocket (35Teeth)..... 97-ON	97-ON	1	4T65E.GE03
810A	Gear, Drive Sprocket (33Teeth Dual Chain) 97-ON	97-ON	1	4T65E.GE04
812A	Gear, Driven Sprocket (35Teeth)..... 97-ON	97-ON	1	4T65E.GE01
812A	Gear, Driven Sprocket (33Teeth Dual Chain) 97-ON	97-ON	1	4T65E.GE02
814A	Turbine Shaft (158.75mm) 97-ON	97-ON	1	4T65E.SH02
815A	Stator/Drive Sprocket Support .. 97-ON	97-ON	1	4T65E.SUP03
833B	Piston Assembly, 3-4 Accumulator (Aluminium Replacement)..... 97-ON	97-ON	1	4T65E.ACC02
834B	Pin, 3-4 Accumulator..... 97-ON	97-ON	1	4T65E.PIN01
837B	Pump Vane, (17.970mm) 97-ON	97-ON	11	TH440.PUM03
838B	Ring, Pump Vane 97-ON	97-ON	2	TH440.PUM06
844C	Driven Sprocket Support Assy .. 97-ON	97-ON	1	4T65E.SUP02
845D	2nd Drum With Shell Update (10 Degree)..... 97-ON	97-ON	1	4T65E.DRU01
846E	Input Drum 97-ON	97-ON	1	4T60E.DRU08
847E	Piston, Input Clutch..... 97-ON	97-ON	1	TH440.PIS03
850F	One Way Clutch Assy, 3rd Roller (Complete Assy)..... 97-02	97-02	1	4T60E.OWC01
854G	Sun Gear, Input (With 2 Flats on Splines)..... 97-ON	97-ON	1	4T60E.SUN02

ILL NO.	DESCRIPTION	YEARS	QTY	PART NO
HARD PARTS Cont...				
856G	Front Planetary (12 Lug Outer) . 97-ON	97-ON	1	4T65E.PL01
858G	Rear Planetary (Interior Spline Beveled Both Ends) 97-ON	97-ON	1	TH440.PL02
859H	Reaction Drum with Sun Gear .. 97-ON	97-ON	1	4T60E.DRU11
860H	One Way Clutch, 1-2 Roller (14 Rollers, Plastic Cage) 97-ON	97-ON	1	4T60E.OWC04
861H	Forward Drum, (14 Roller Type Sprag)..... 97-ON	97-ON	1	4T60E.DRU10
862J	Ring Gear, Final Drive (Except Volvo) (70 Right Angled Teeth) 97-ON	97-ON	1	4T60E.PL06
863J	Parking Gear..... 97-ON	97-ON	1	TH440.GE02
866J	Sensor Ring (VSS 29T) 97-ON	97-ON	1	4T65E.ELE05
867A	Piston, 2-3 Accumulator (Deep Design Without Spring Recess) 97-ON	97-ON	1	TH440.ACC01
867A	Piston, 2-3 Accumulator (Deep Design With Spring Recess) 97-ON	97-ON	1	TH440.ACC02
867A	Piston, 2-3 Accumulator (Aluminium Replacement)..... 97-ON	97-ON	1	4T65E.ACC03
868A	Piston, 1-2 Accumulator (Deep Design Without Spring Recess) 97-ON	97-ON	1	TH440.ACC01
868A	Piston, 1-2 Accumulator (Deep Design With Spring Recess) 97-ON	97-ON	1	TH440.ACC02
868A	Piston, 1-2 Accumulator (Aluminium Replacement)..... 97-ON	97-ON	1	4T65E.ACC03
869A	Pin, 2-3 Accumulator (Sonnax Oversized) (Allows Re Use of Worn Piston) 97-ON	97-ON	1	TH440.VA01
870A	Pin, 1-2 Accumulator (Sonnax Oversized) (Allows Re Use of Worn Piston) 97-ON	97-ON	1	TH440.VA01
871B	3-4 Accumulator Piston (Sonnax®, Click Here for Info) .. 97-ON	97-ON	1	4T65E.ACC01
875J	Final Drive 3.29 Ratio (Except Volvo) (34 Tooth Sun gear) 97-ON	97-ON	1	4T65E.DIFF01
875J	Final Drive Ratio (Volvo XC90) 97-ON	97-ON	1	4T65E.DIFF03
Kit	Differential Repair Kit (Contains parts to repair the differential carrier but the carrier must be serviceable) (Kit comprises of - diff sun gear, diff ring gear and diff planet wheels and spindles)..... 97-ON	97-ON	1	4T65E.DIFF02
SPECIAL ITEMS				
NI	Diff Lube Tube Retainer (Sonnax® Click here for Info) ... 97-On	97-On	1	4T60E.RET01
NI	Cooler Line Connector (Short Type) 04-ON	04-ON	AR	4T65E.CON01
NI	Cooler Line Connector (Long Type)..... 05-ON	05-ON	AR	4T65E.CON02
TOOLS & MANUALS				
NI	ATSG Repair Manual 97-ON	97-ON		4T65E.MAN01
NI	ATSG Update Manual 97-ON	97-ON		4T65E.MAN04
NI	Volvo Repair Manual 99-ON	99-ON		4T65E.MAN02
NI	Universal Valve Body Fixture (Sonnax® Click here for Info) ... 97-ON	97-ON	1	AG4.VA05
Click here to view special tools for this transmission				